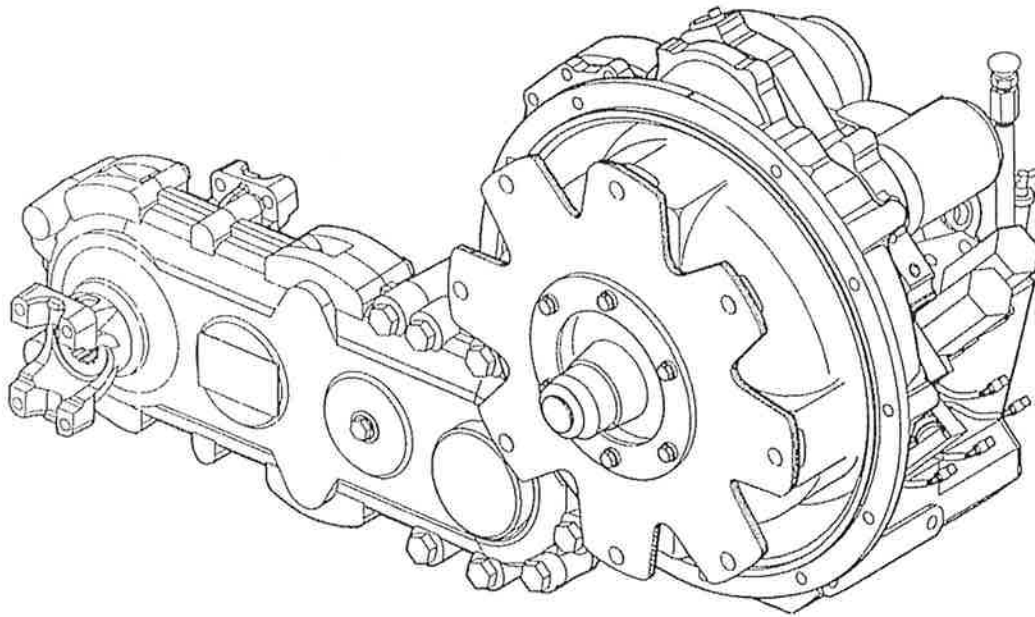


MODEL NO. 1106VDT12465 - 210

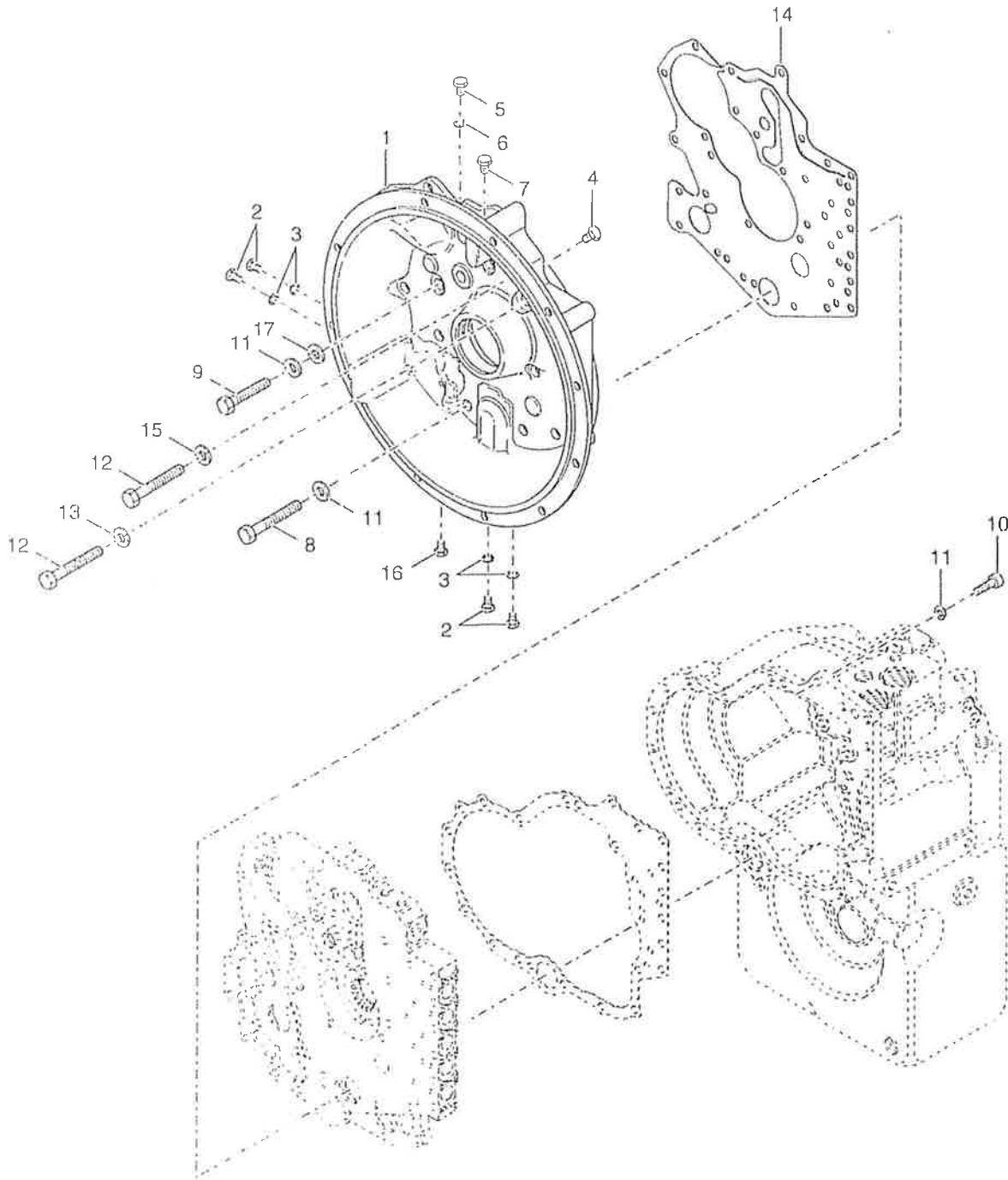
PART NO. 4263218

DATE 27-11-2006 -- Rev.10-08-2007

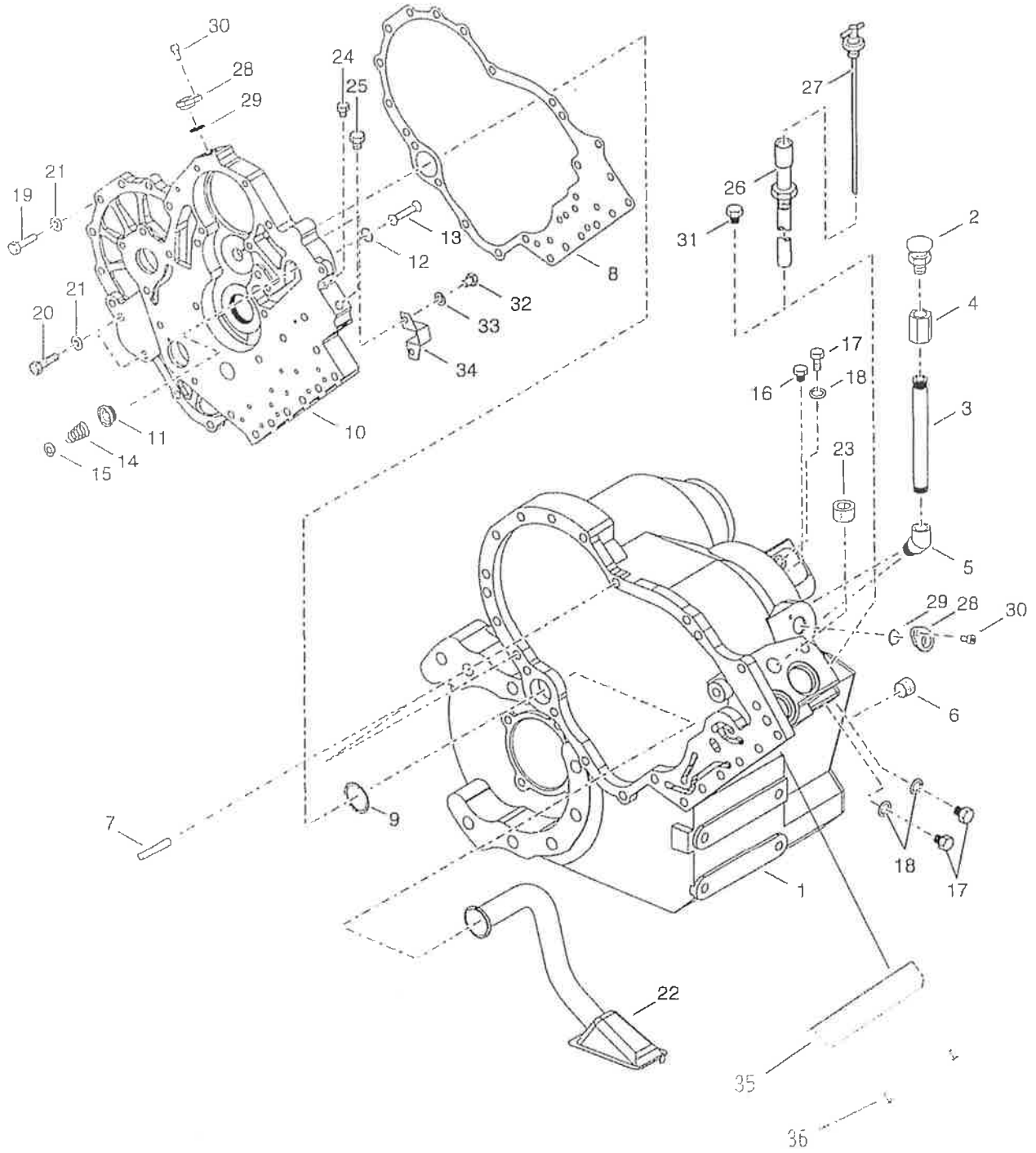
T12000 Series



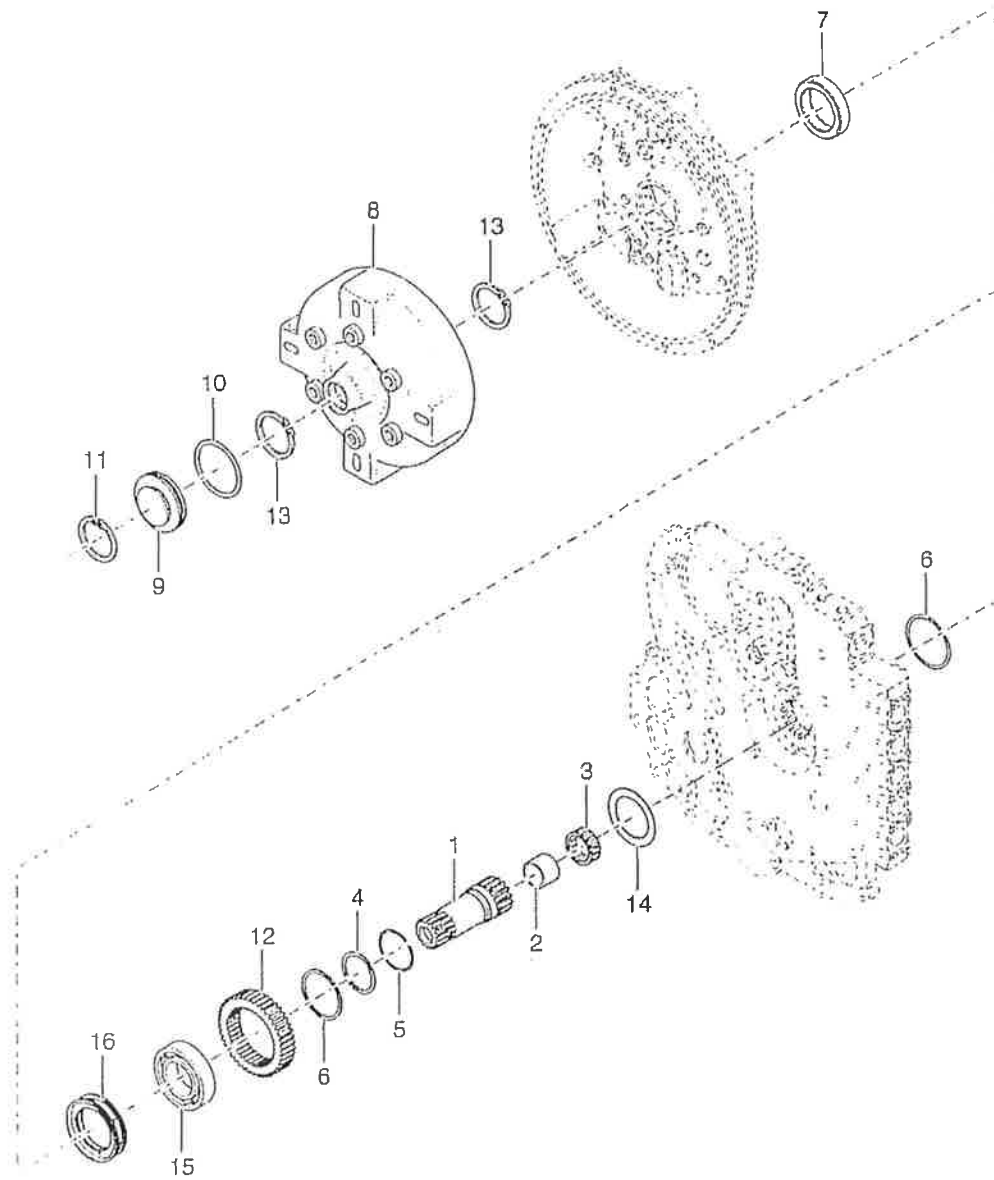
T12000
GROUP CONVERTER HOUSING



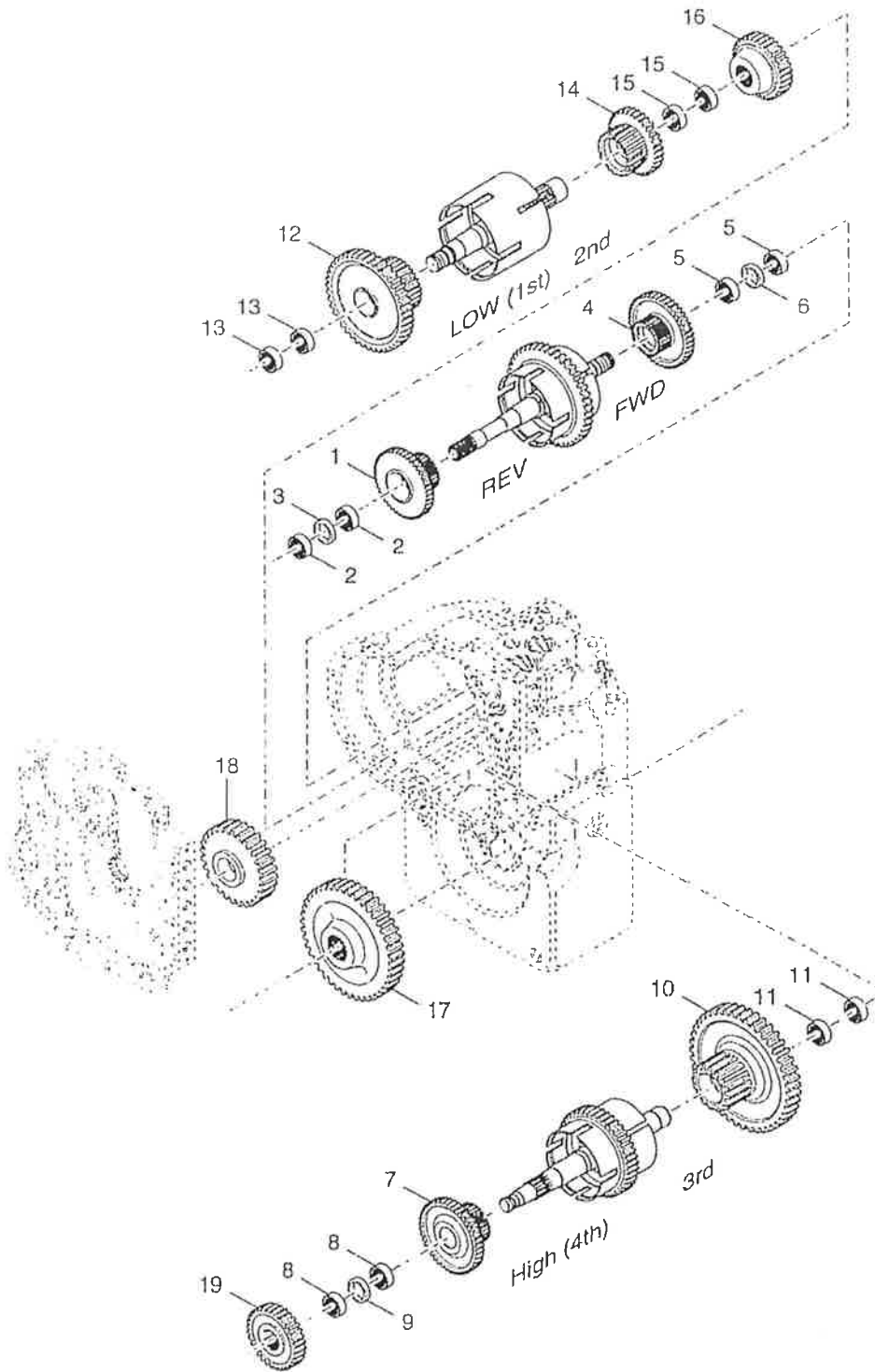
T12000 TRANSMISSION CASE & PLATE GROUP



T12000
GROUP TORQUE CONVERTER

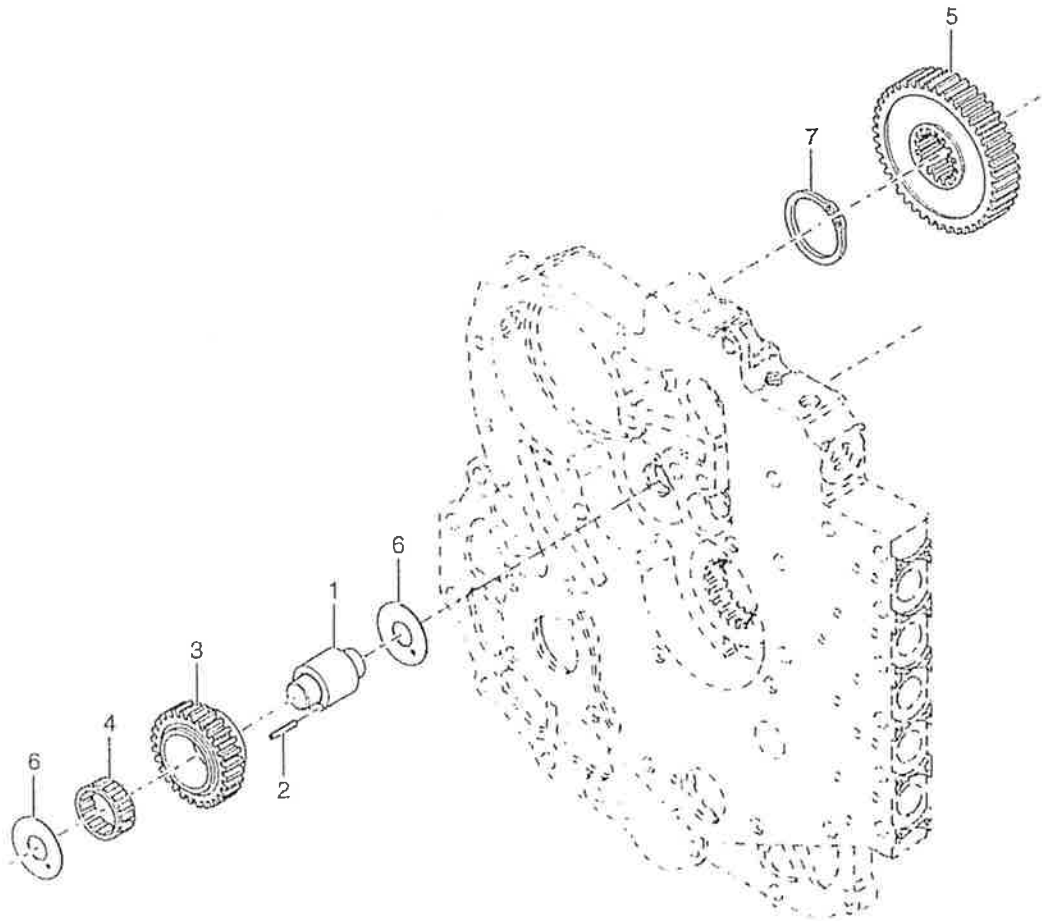


T12000
GEAR GROUP



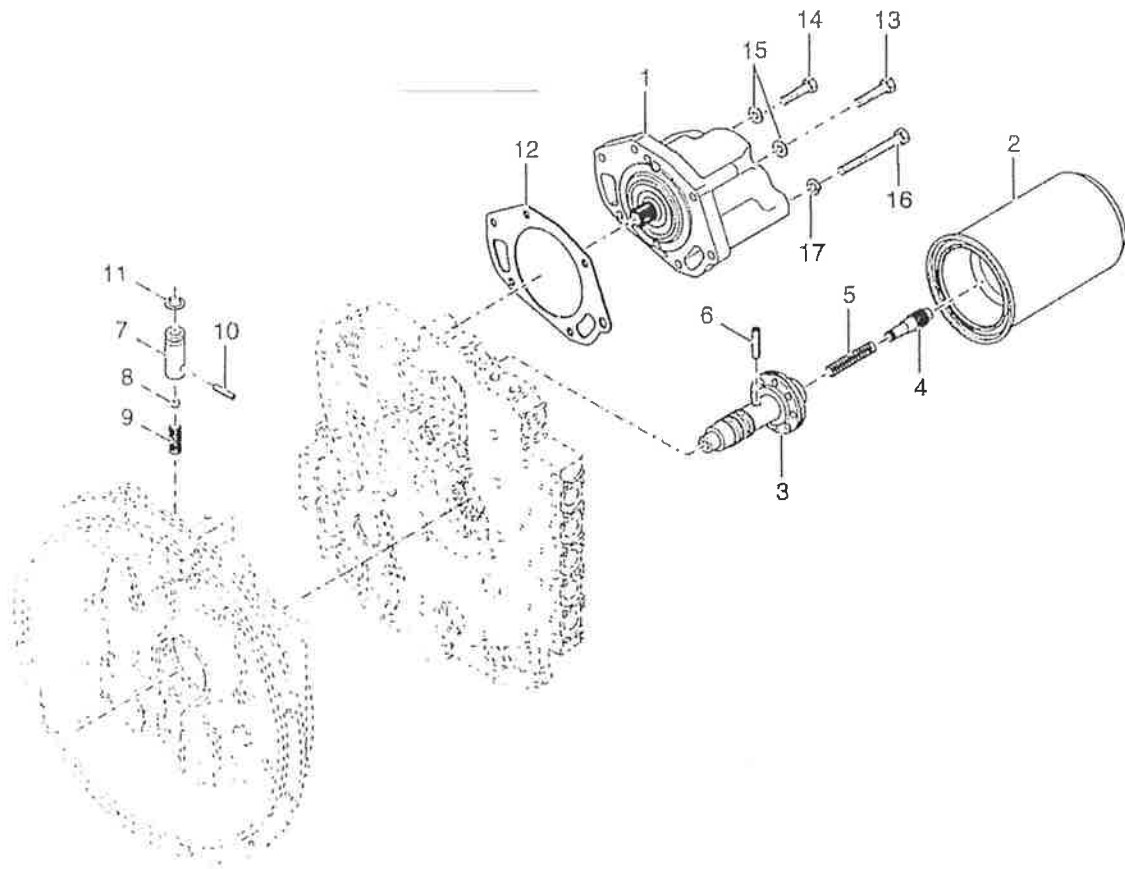
T12000

GROUP PUMP DRIVE



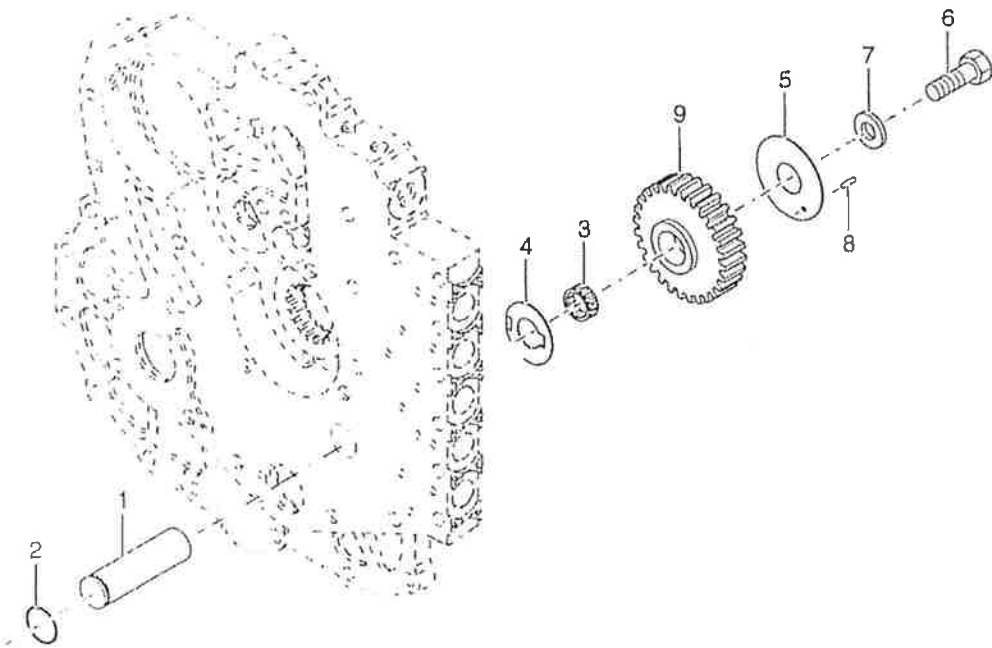
T12000

GROUP CHARGING PUMP

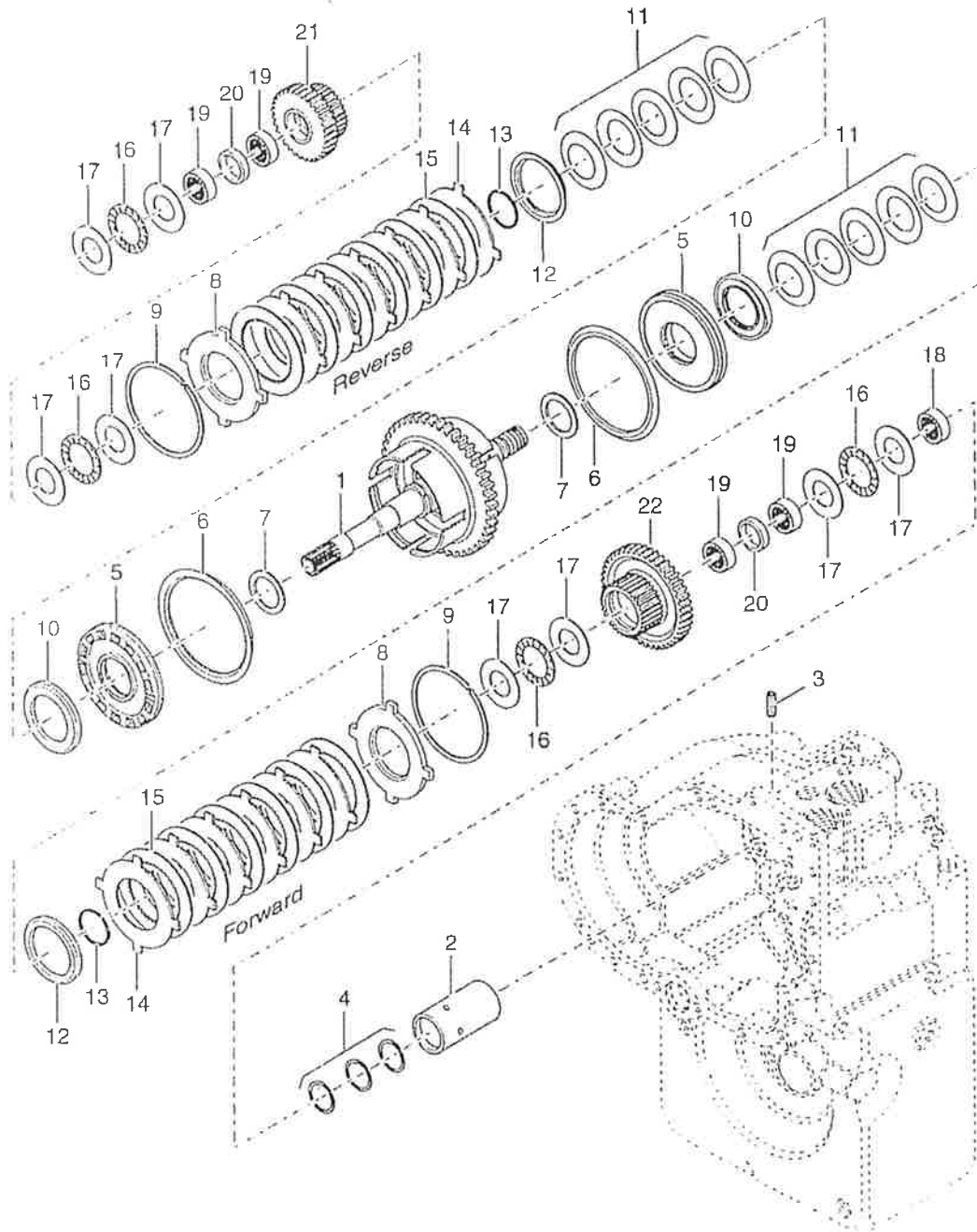


T12000

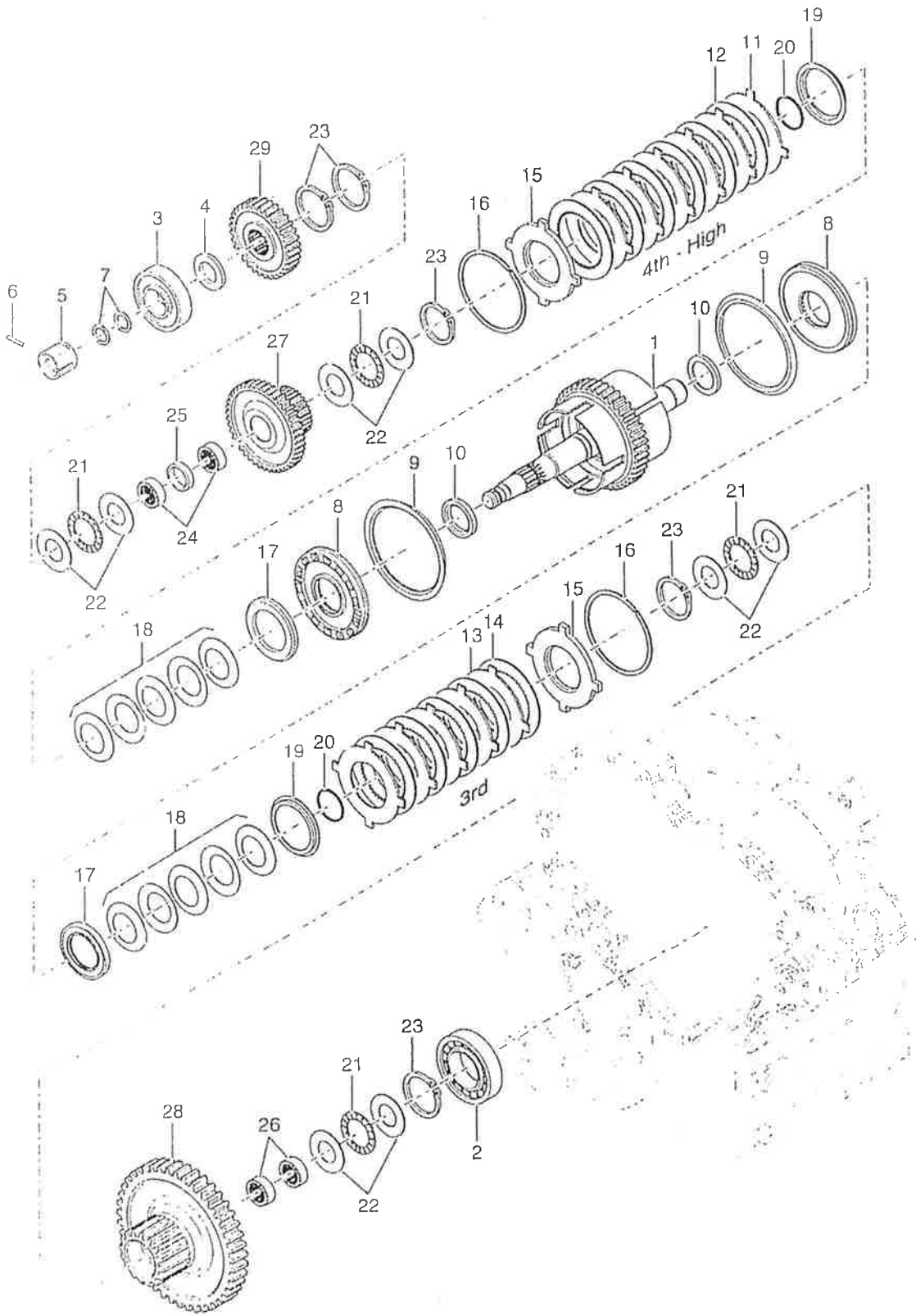
GROUP REVERSE IDLER



T12000
GROUP FORWARD AND REVERSE SHAFT

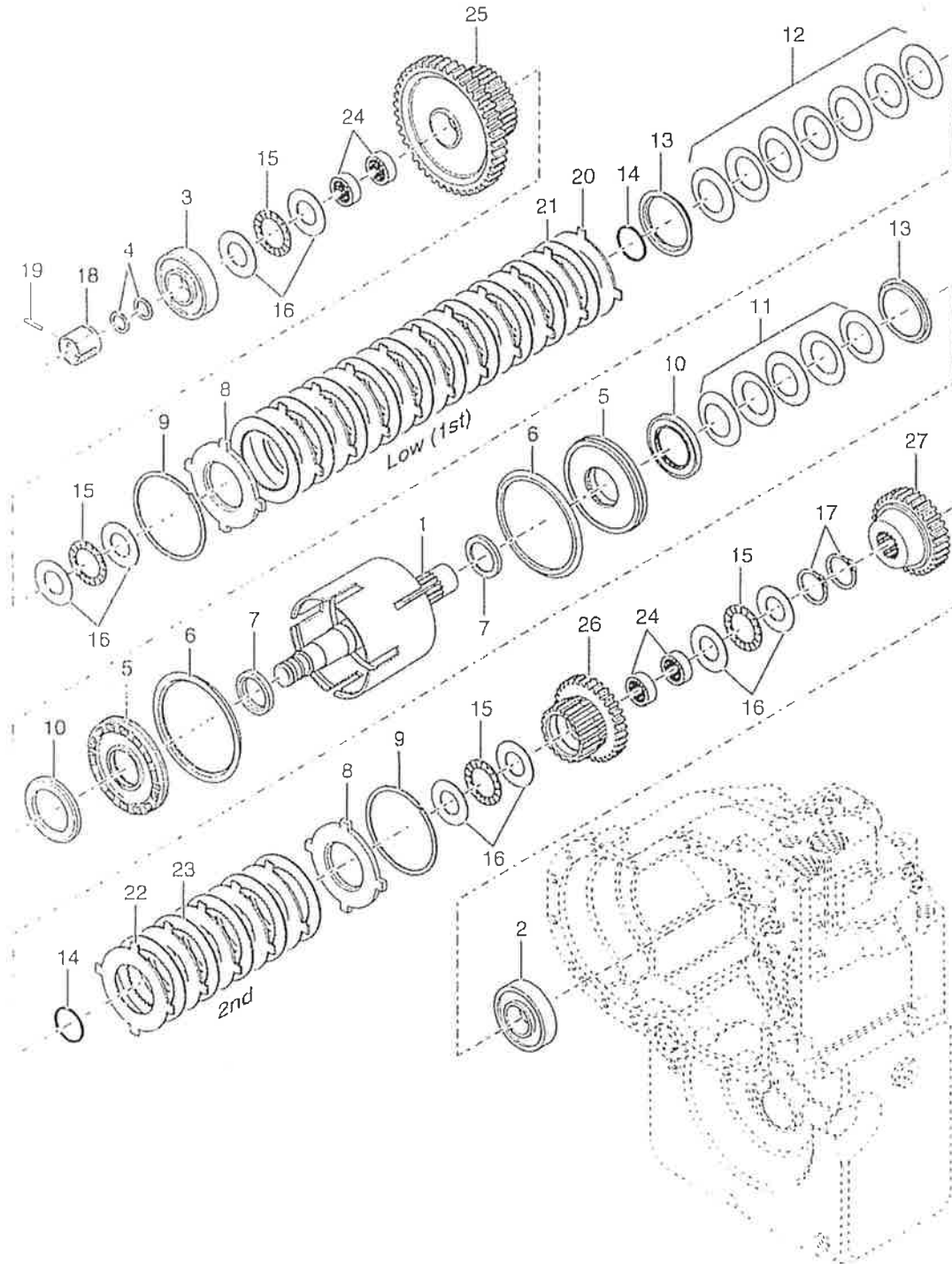


T12000
GROUP HIGH (4TH) AND 3RD SHAFT

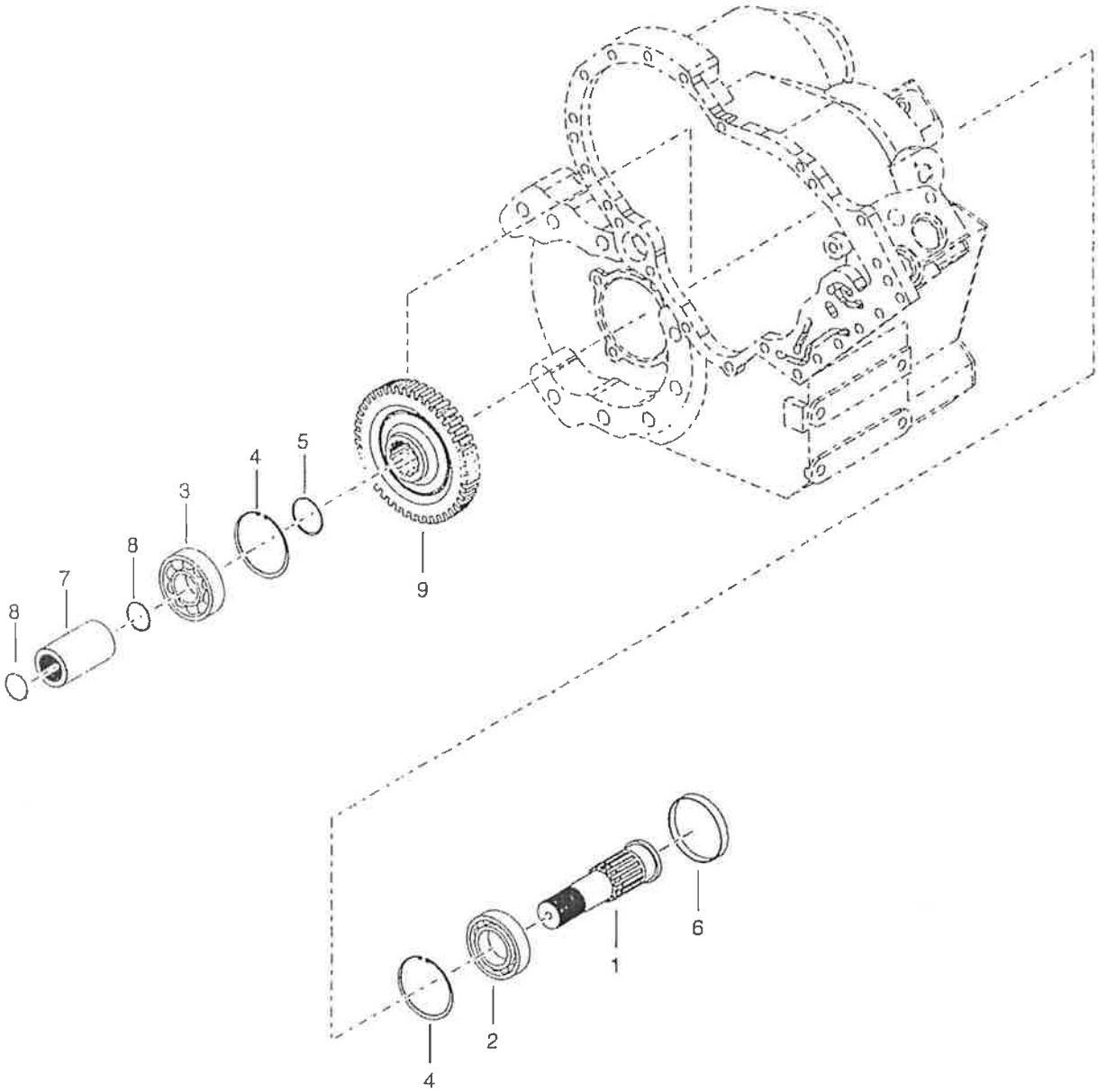


T12000

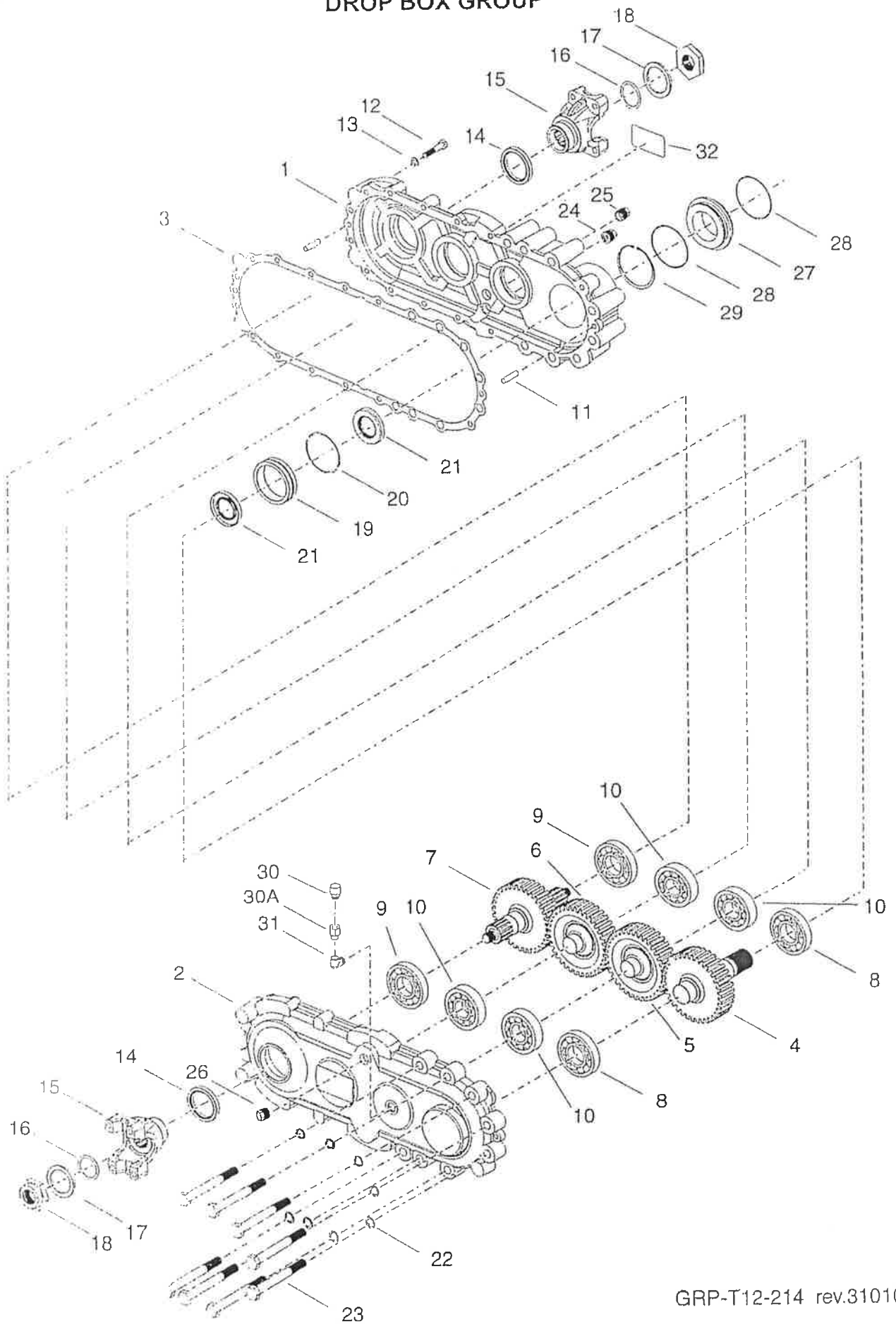
GROUP FIRST AND SECOND SHAFT



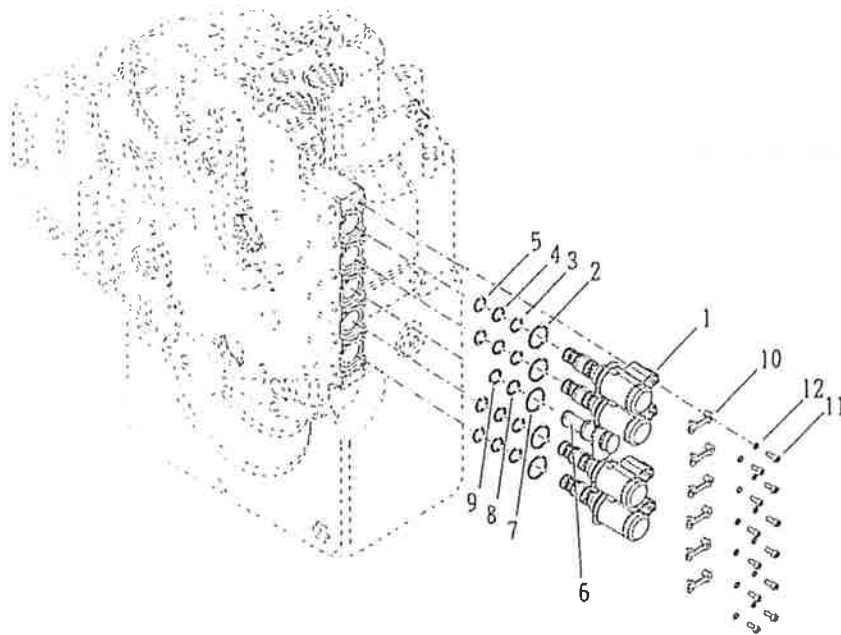
T12000
OUTPUT SHAFT GROUP



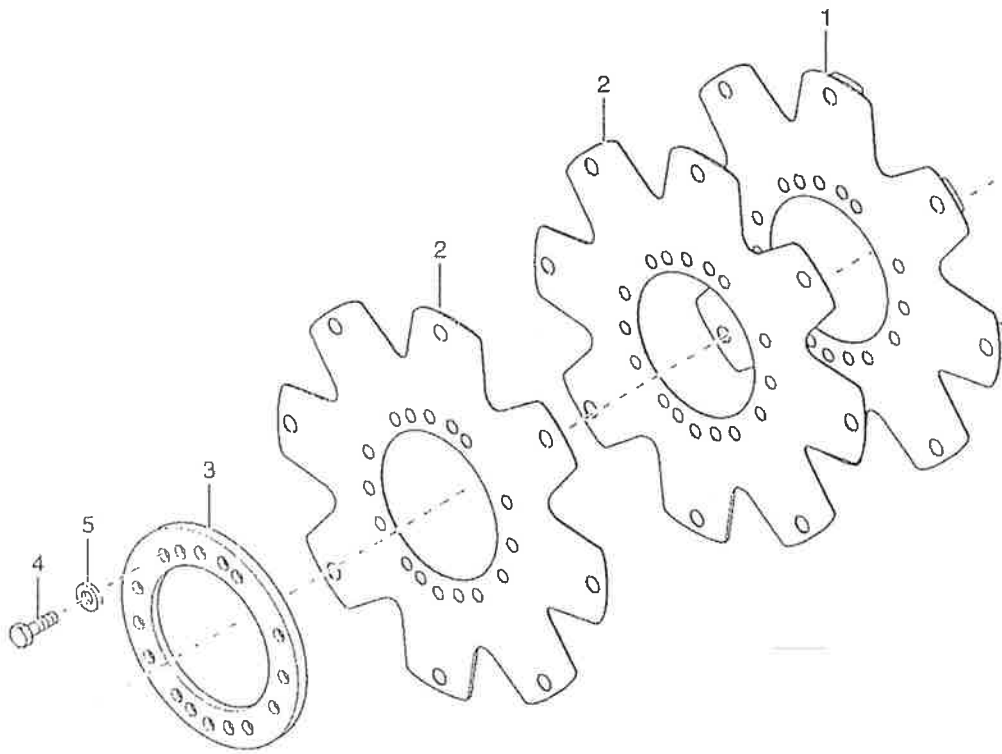
T12000 DROP BOX GROUP



T12000 GROUP CONTROL



T12000
GROUP DRIVE PLATE



T12000

ASSEMBLY MODULATION VALVE

