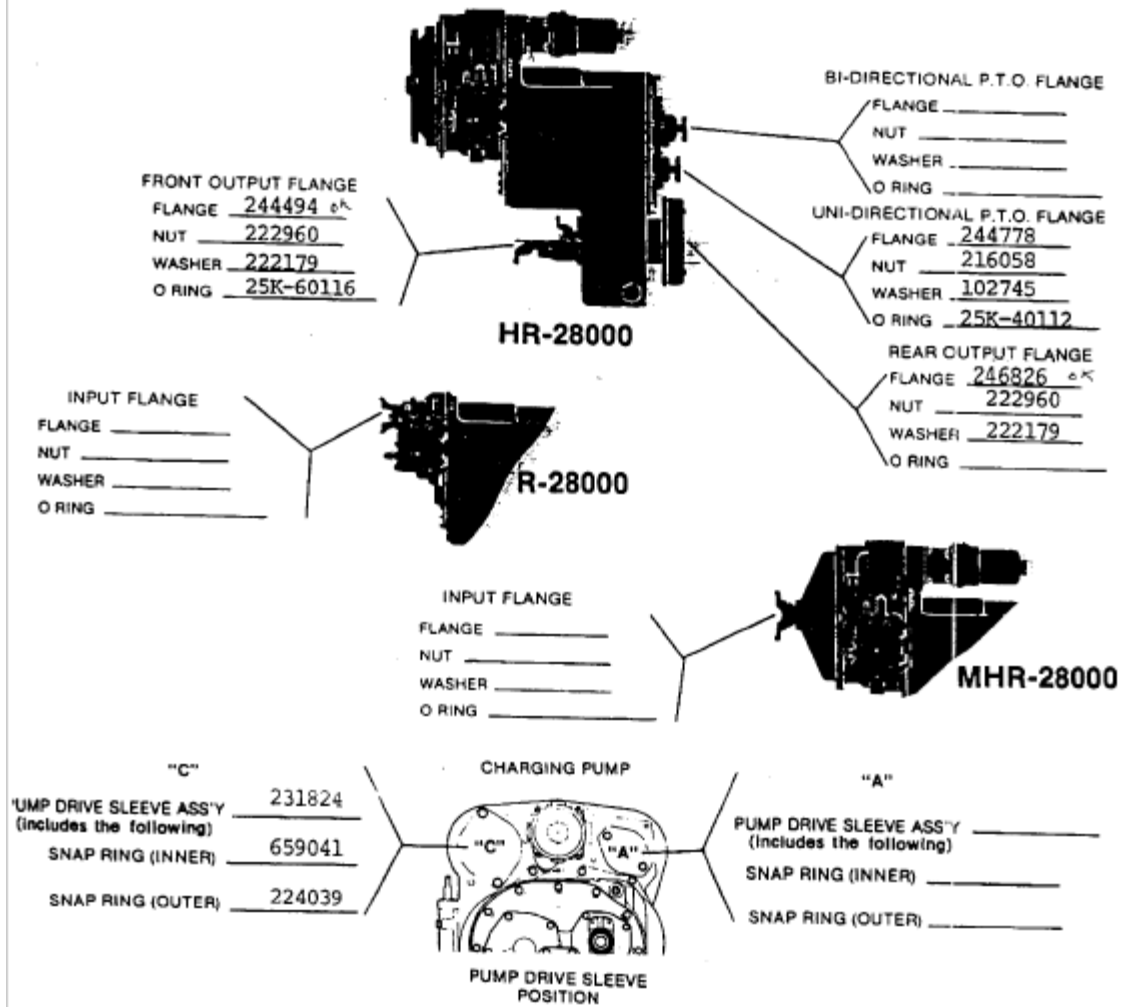


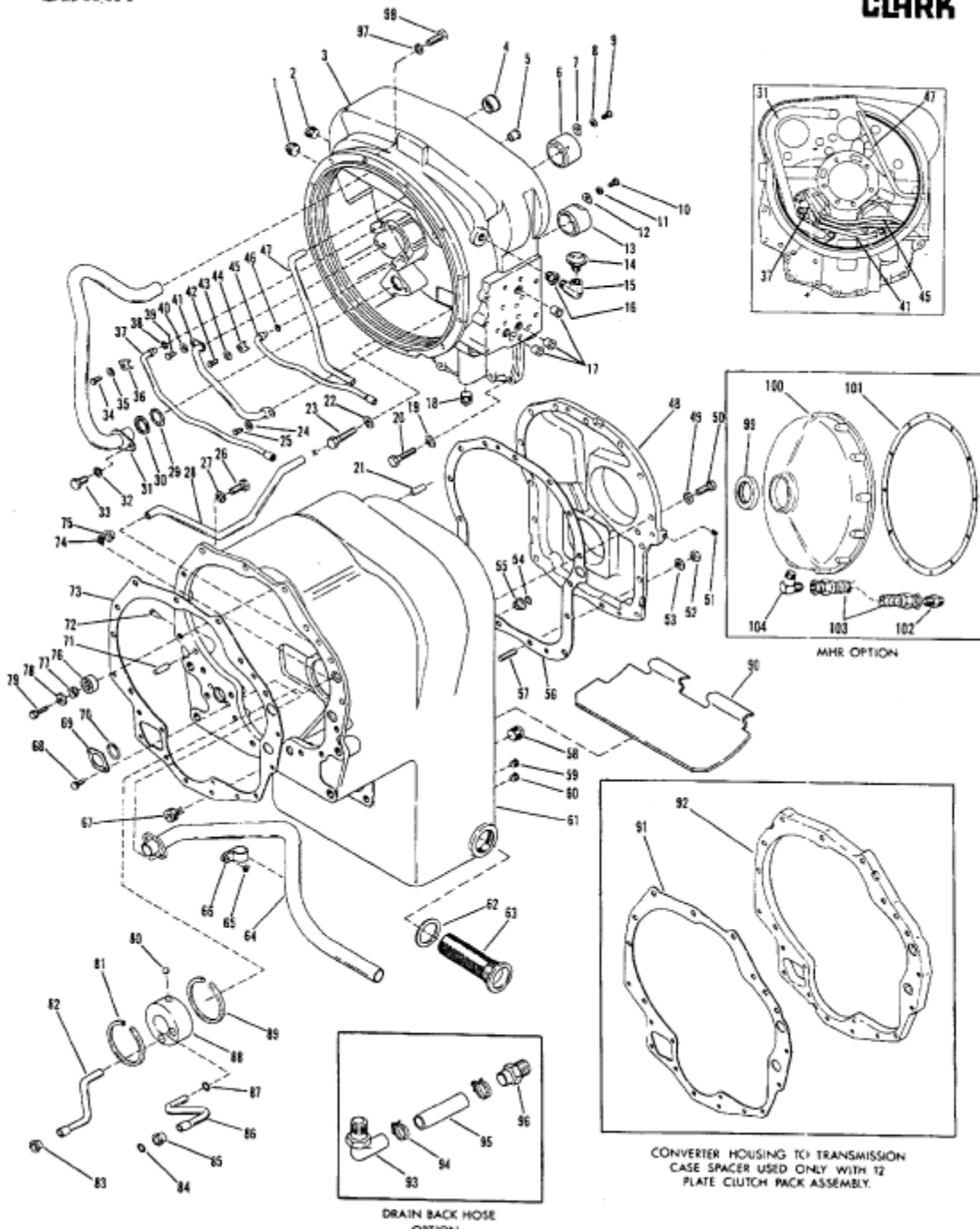
CLARK Components Division

MODEL NO. 13.7HR28420-405
 PART NO. 290622
 DATE 28 March 89 Rev. 28 Jan 91 Rev. 14 Feb 92

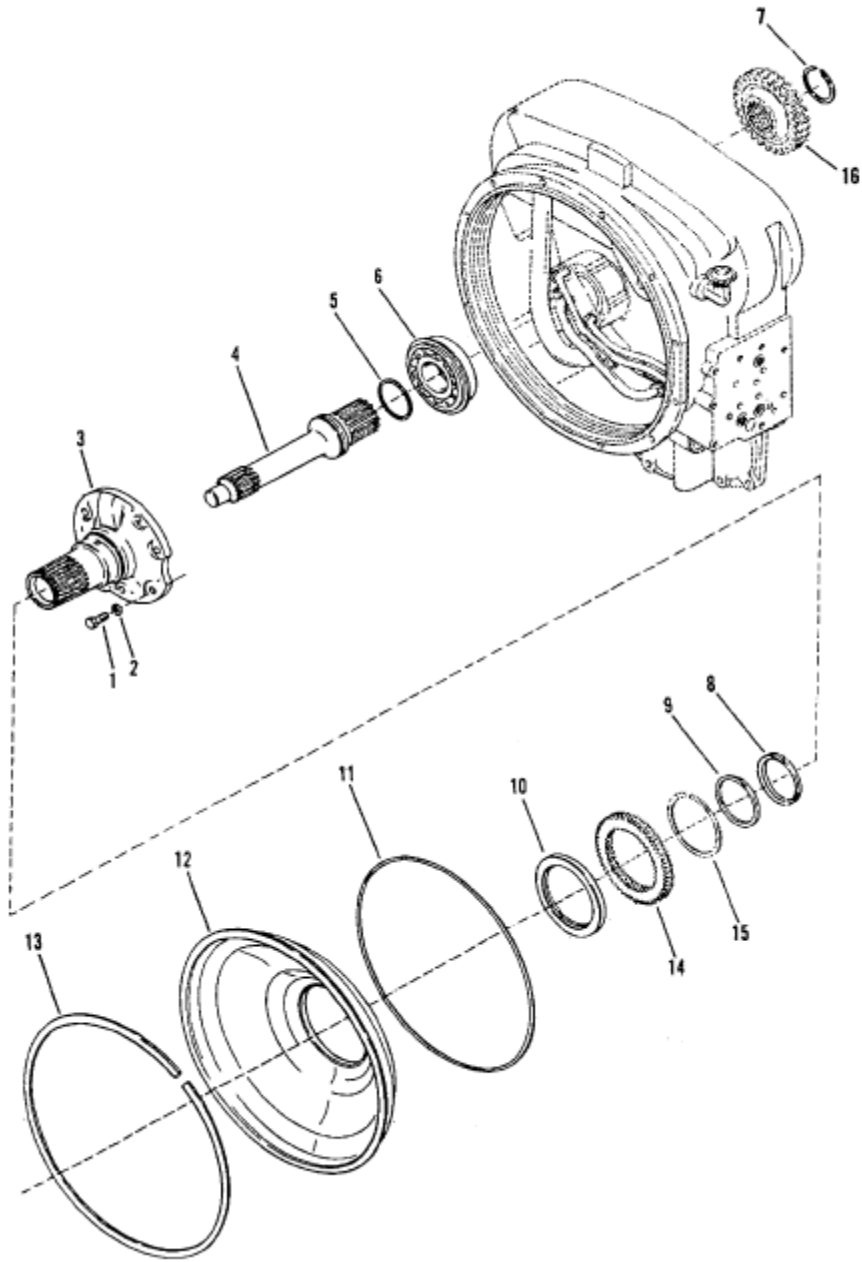


CLARK

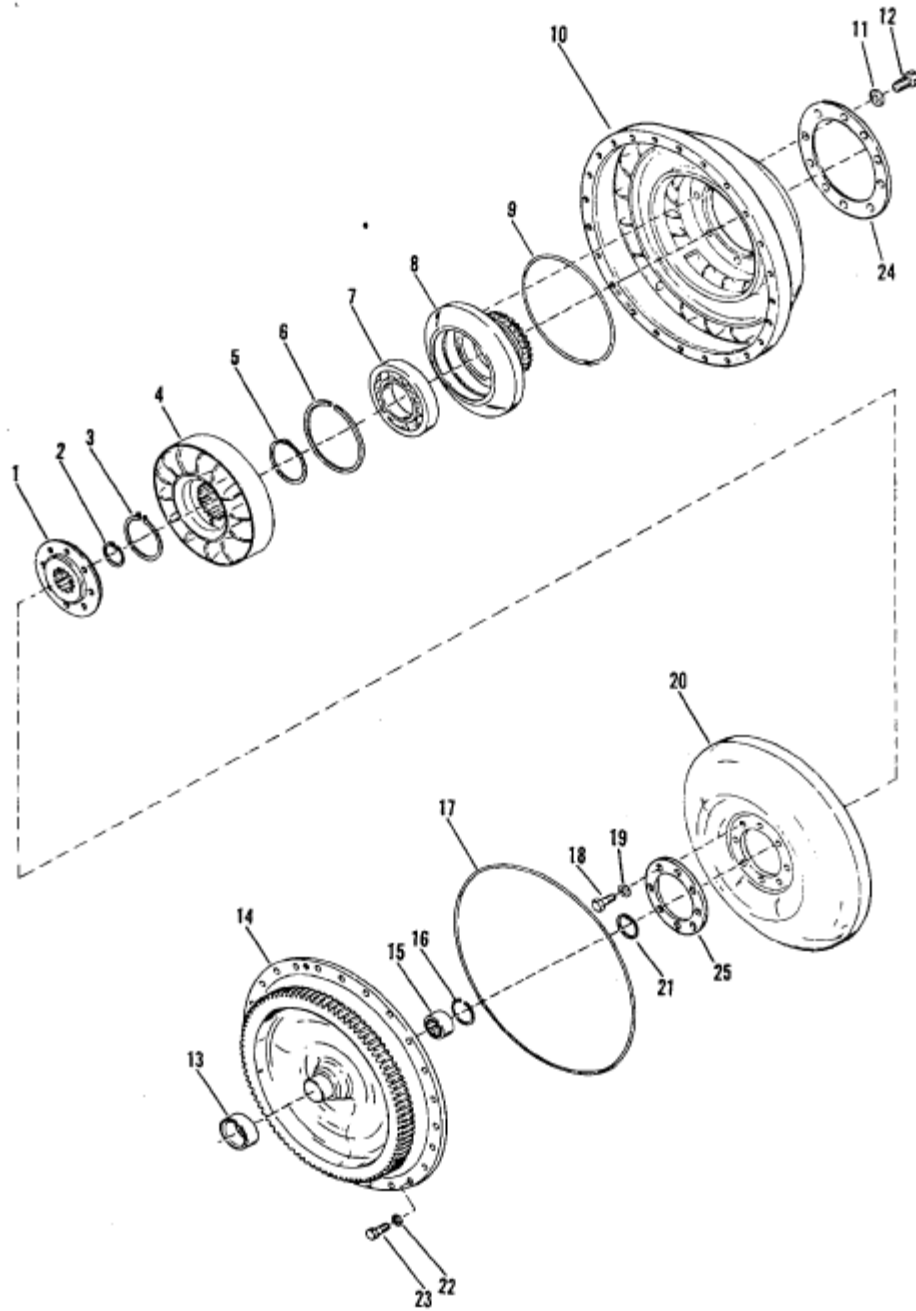
CLARK



CLARK-HURTH
COMPONENTS

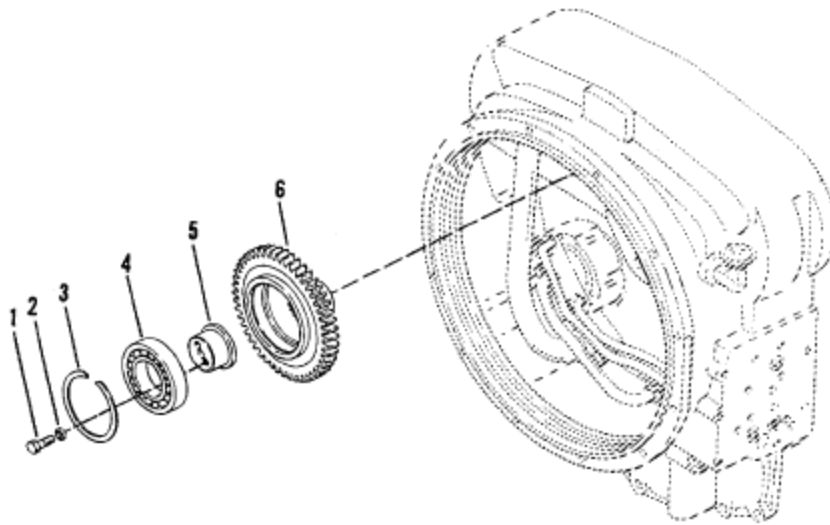


CLARK HURTH
COMPONENTS



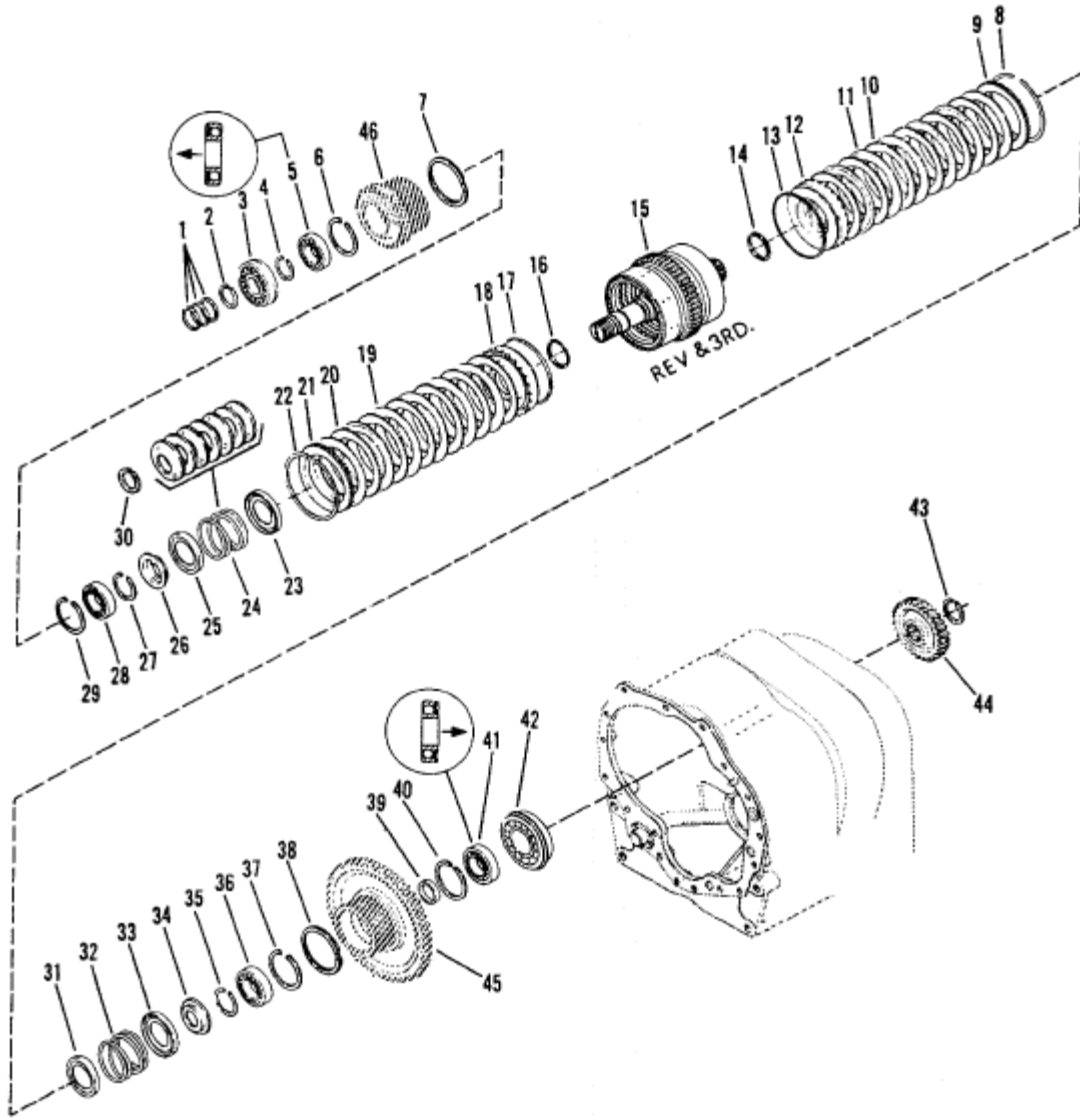
CLARK

CLARK



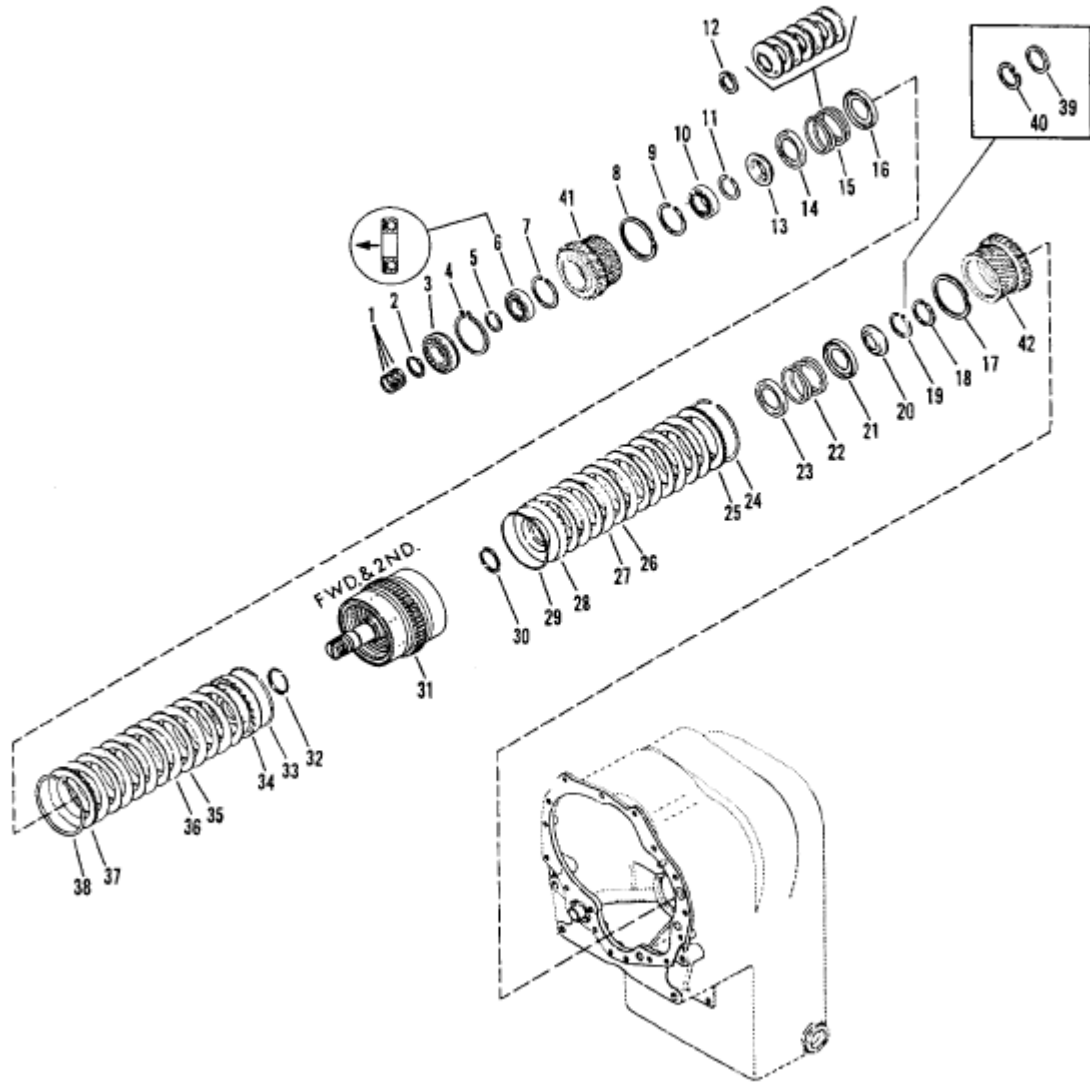
CLARK

CLARK



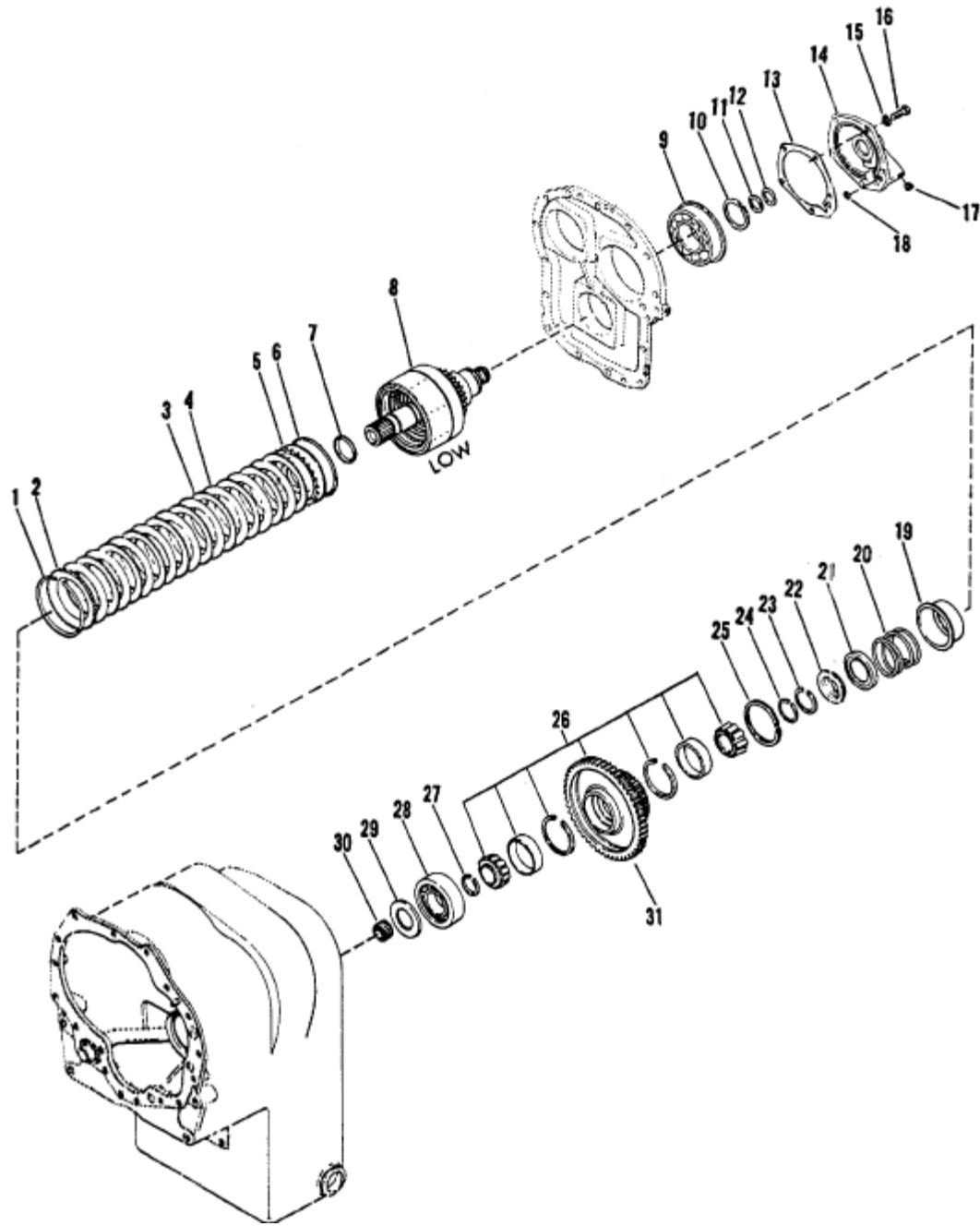
CLARK

CLARK



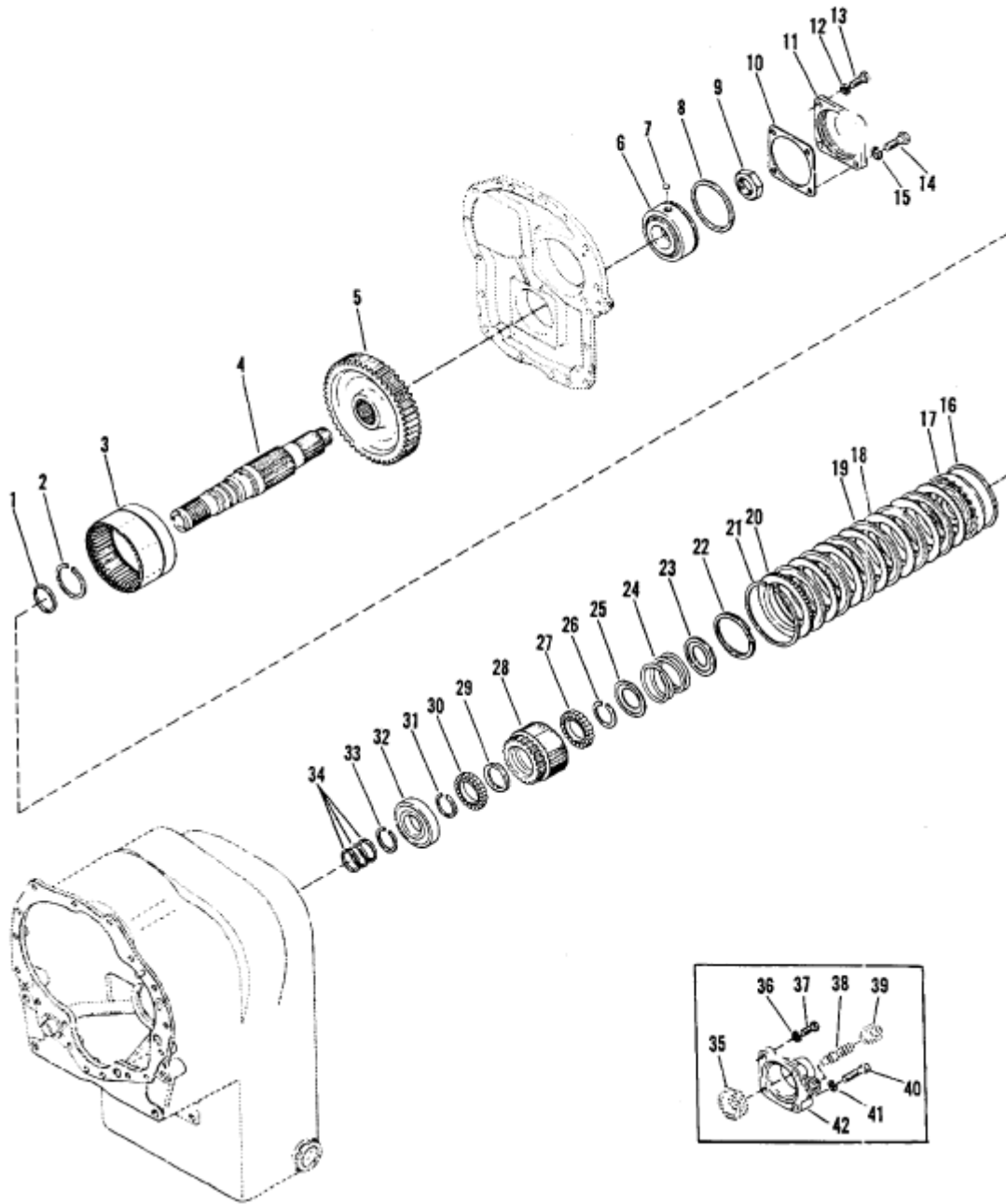
CLARK

CLARK



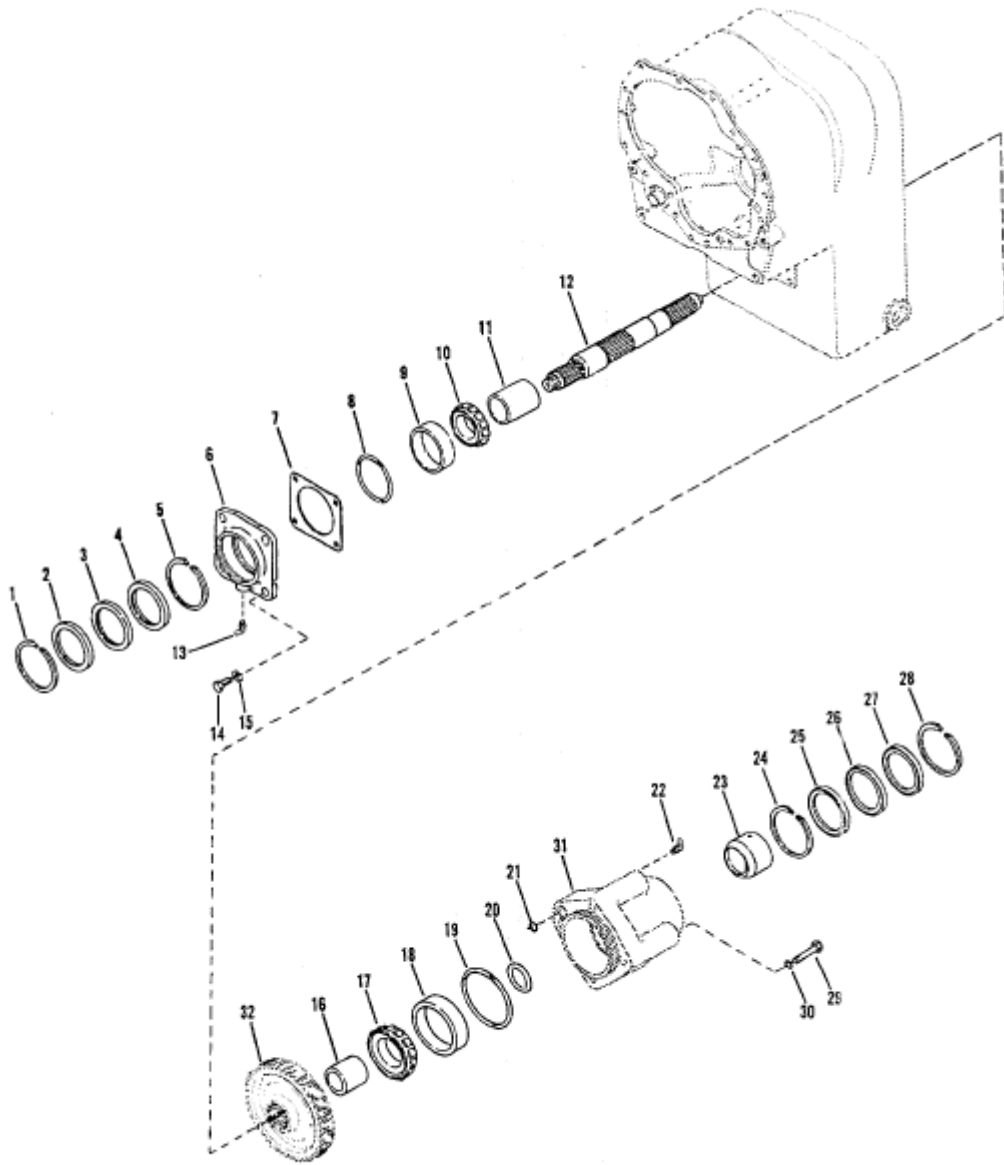
CLARK

CLARK



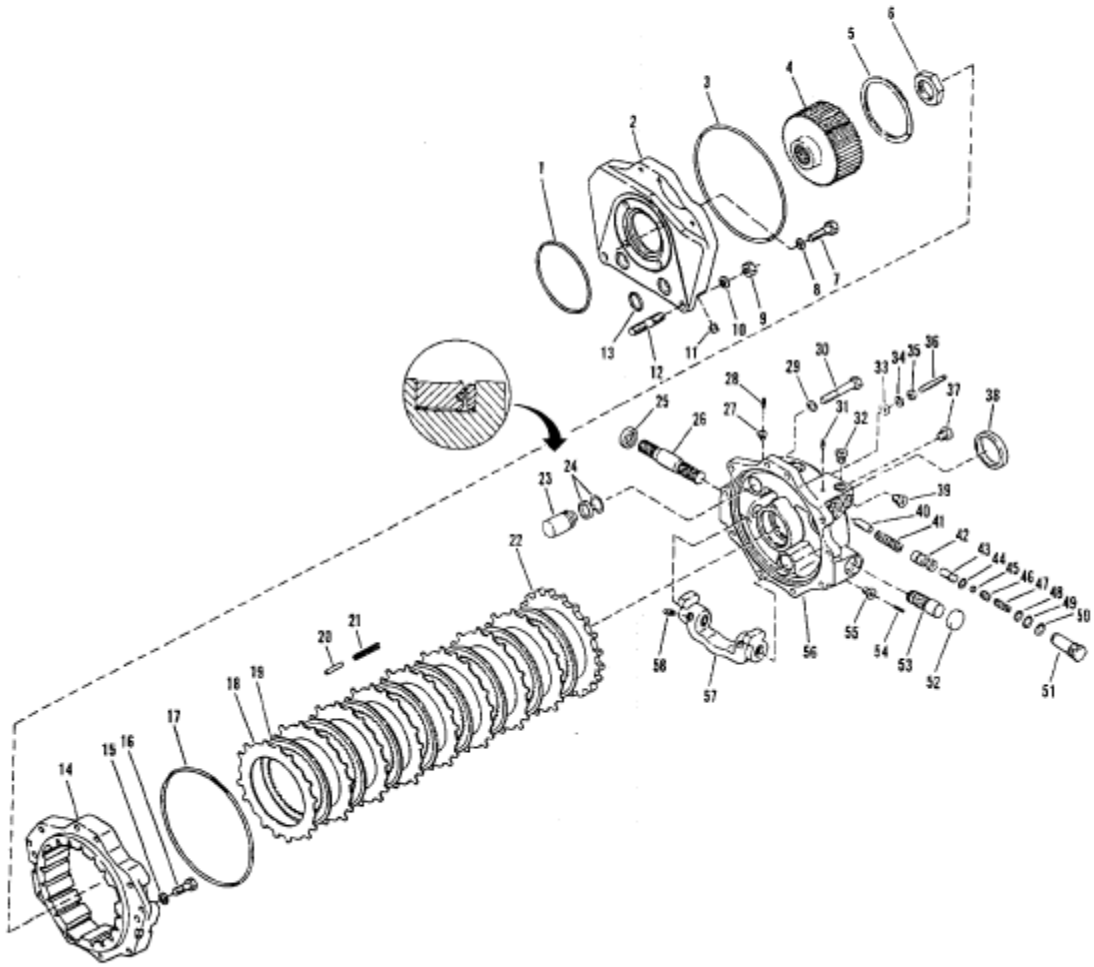
CLARK

CLARK



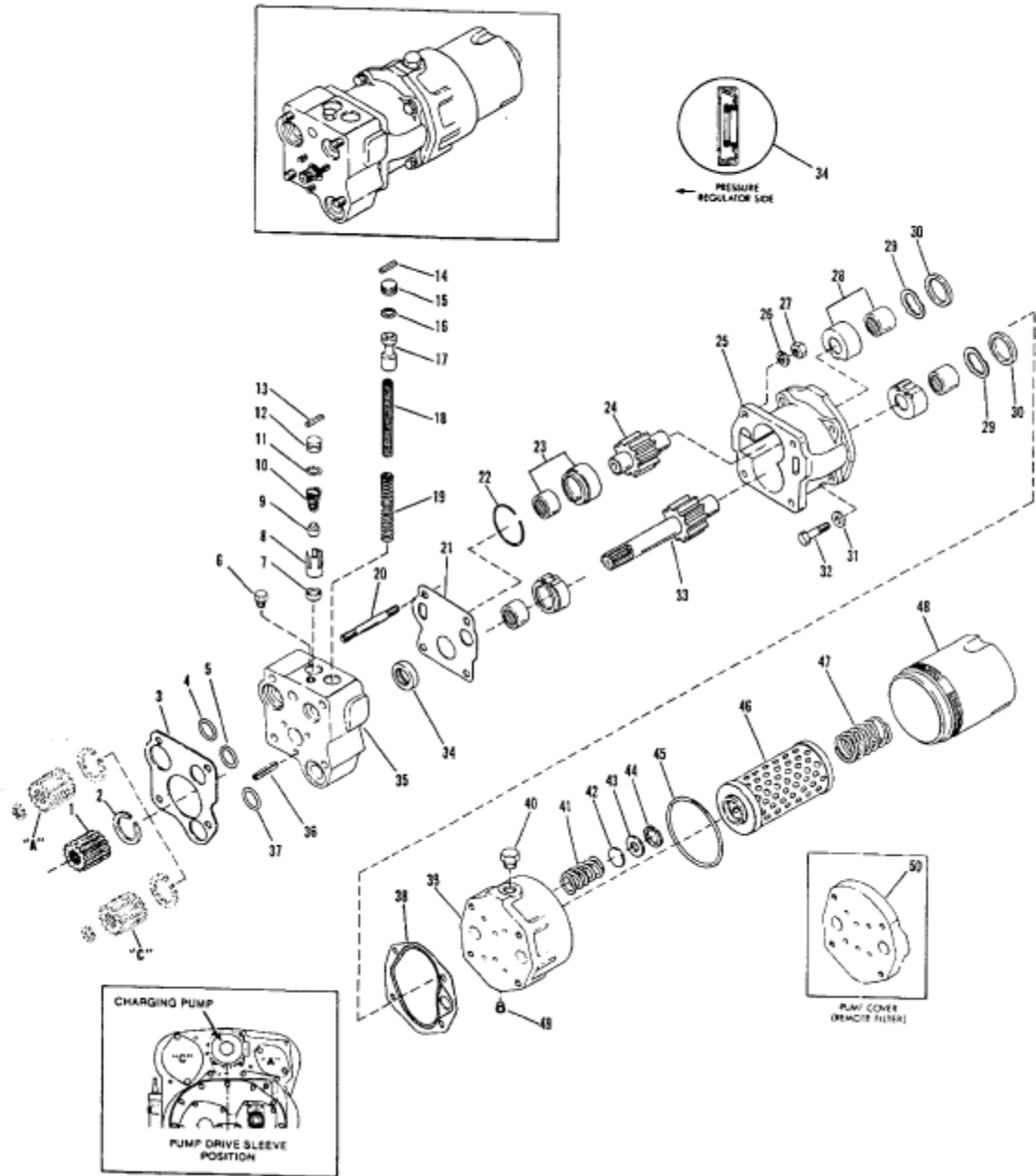
CLARK

CLARK



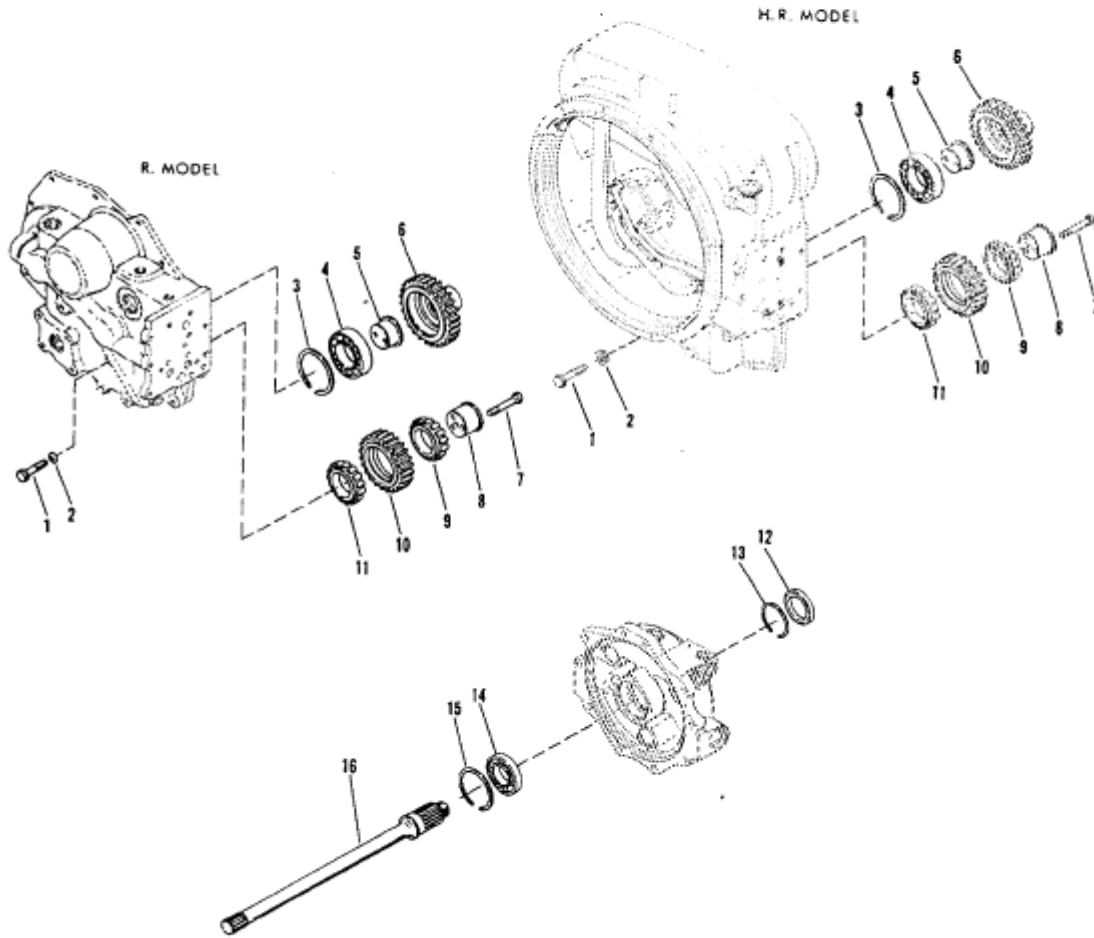
CLARK

CLARK



CLARK

CLARK



CLARK

CLARK

DECLUTCH
FORWARD & REVERSE

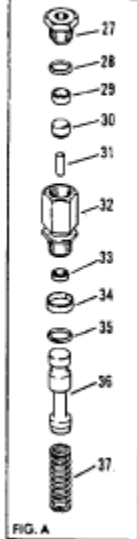


FIG. A

DECLUTCH
REVERSE ONLY

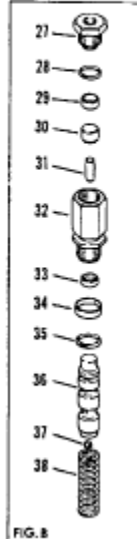


FIG. B

DECLUTCH
FORWARD ONLY

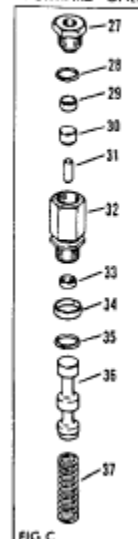


FIG. C

INCHING

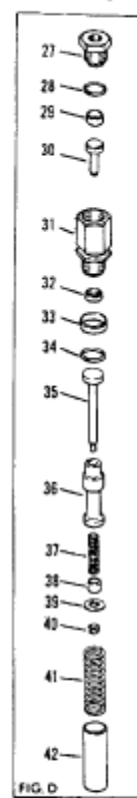
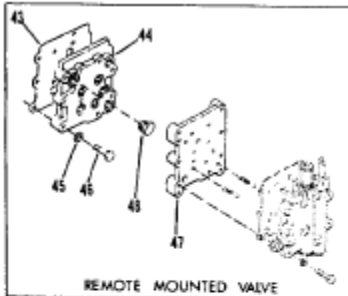
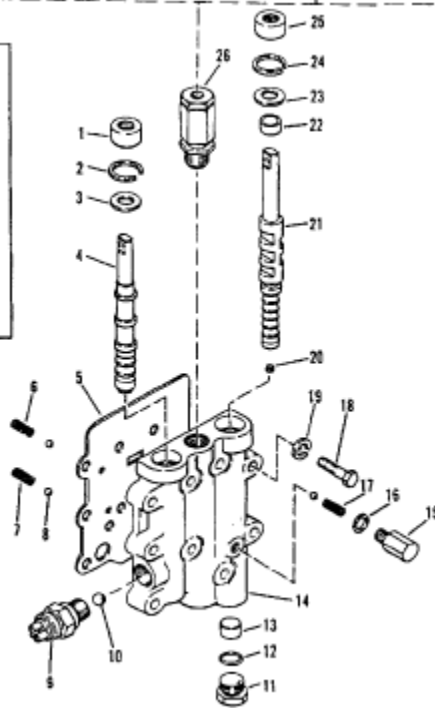


FIG. D



REMOTE MOUNTED VALVE

NOTE:
Speed selector spacers (Items 13 and 22) and the declutch valve (Item 26) are not included when the control valve housing assembly (Item 14) is ordered.
When ordering the control valve housing assembly (Item 14) from the Service Parts List also order the spacer or spacers listed as Items 13 and 22 and the declutch valve, spool and spring needed. **NOTE:** Some valves will require no spacers, some valves will require 1 spacer and some will require 2 spacers.
See information charted on reverse side.
Refer to Service Parts List for correct spacers and declutch valves to be ordered.



LESS
DECLUTCH

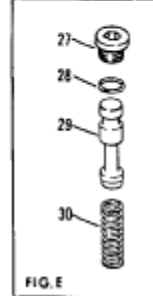
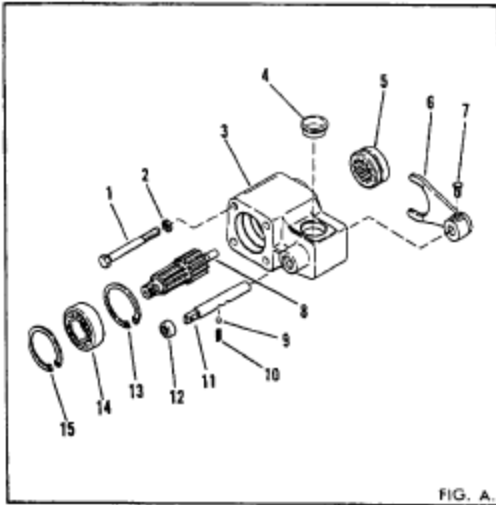


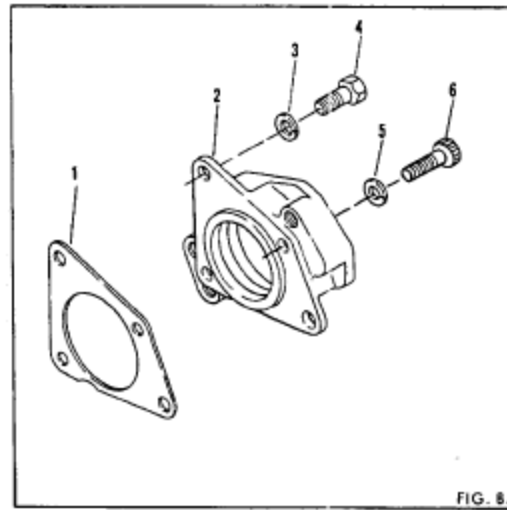
FIG. E

CLARK

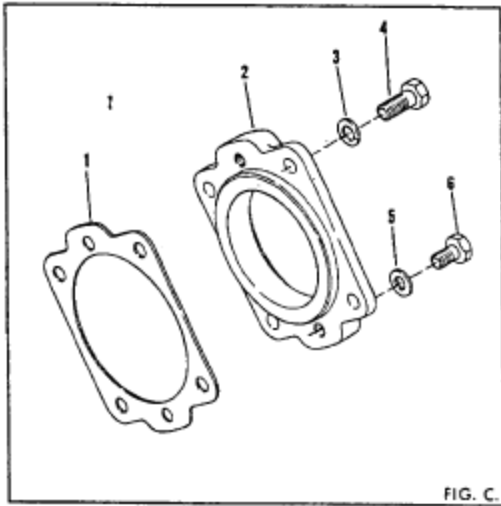


DISCONNECT ASSEMBLY

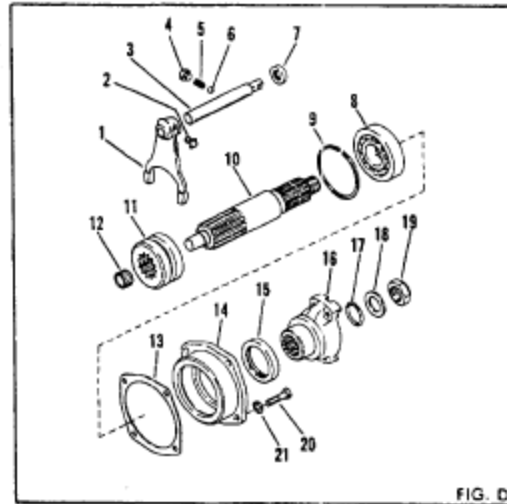
CLARK



"A" SIZE TO "B" SIZE PUMP ADAPTOR



"B" SIZE PUMP ADAPTOR



FORWARD & REVERSE P.T.O.

R & HR 28000 SERIES - VARIOUS OPTIONS
(FOR ADDITIONAL OPTIONS SEE REVERSE SIDE)