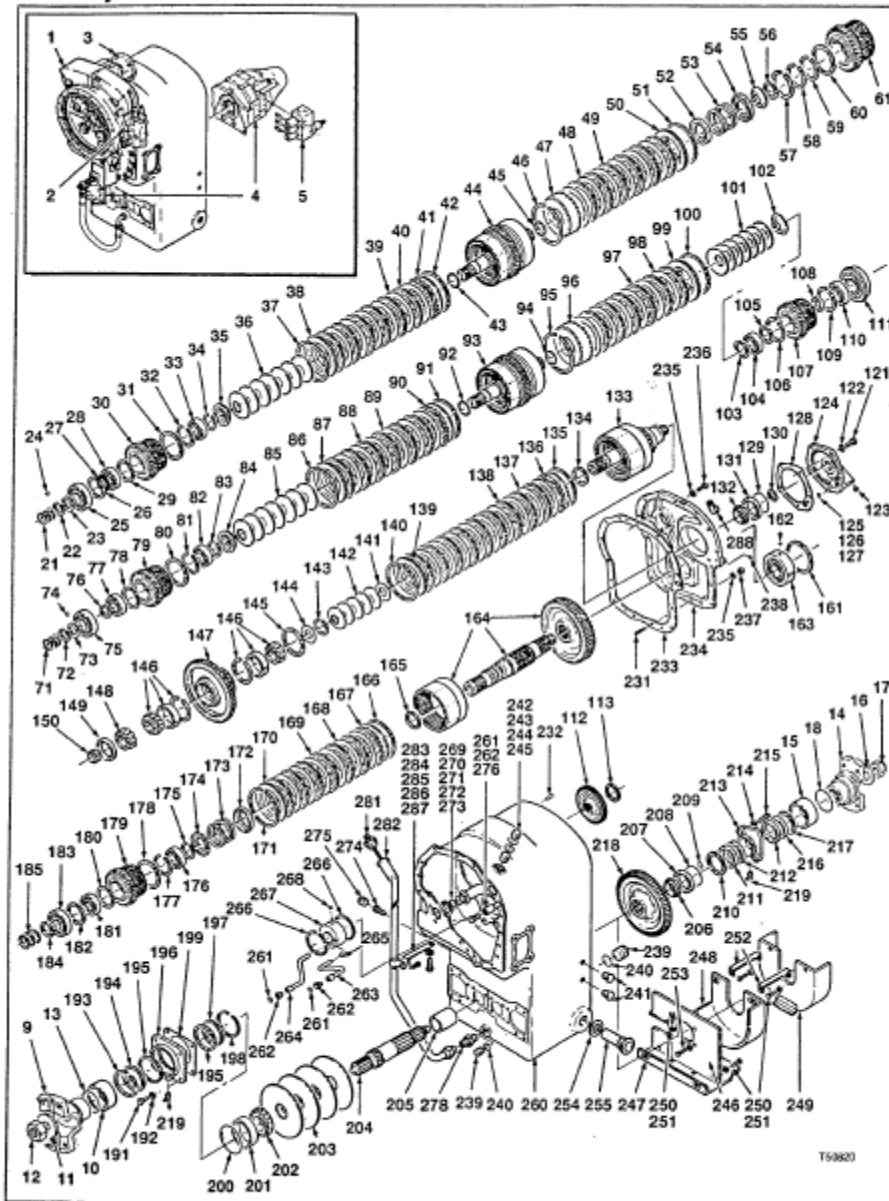


Timberjack

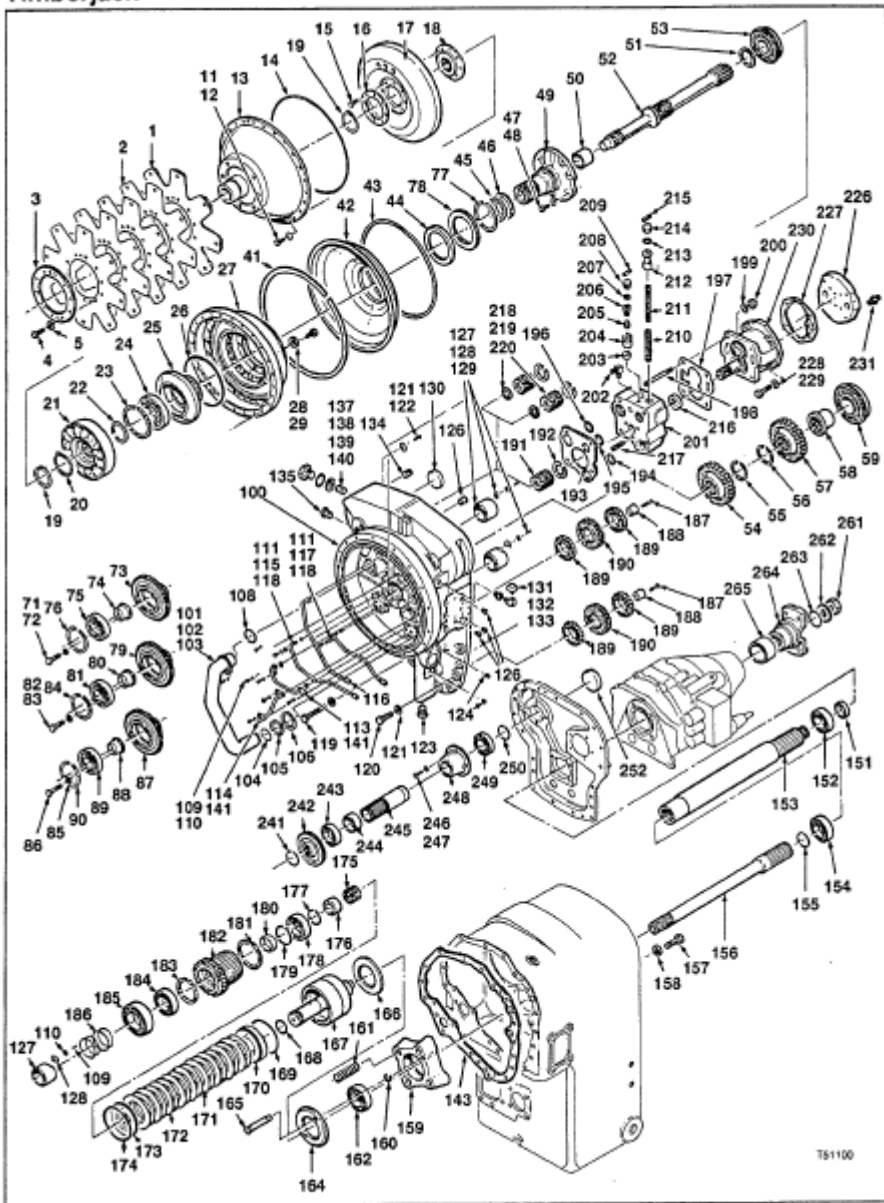


TRANSMISSION ASSEMBLY

1240-046/10

REVISION 008F

Timberjack

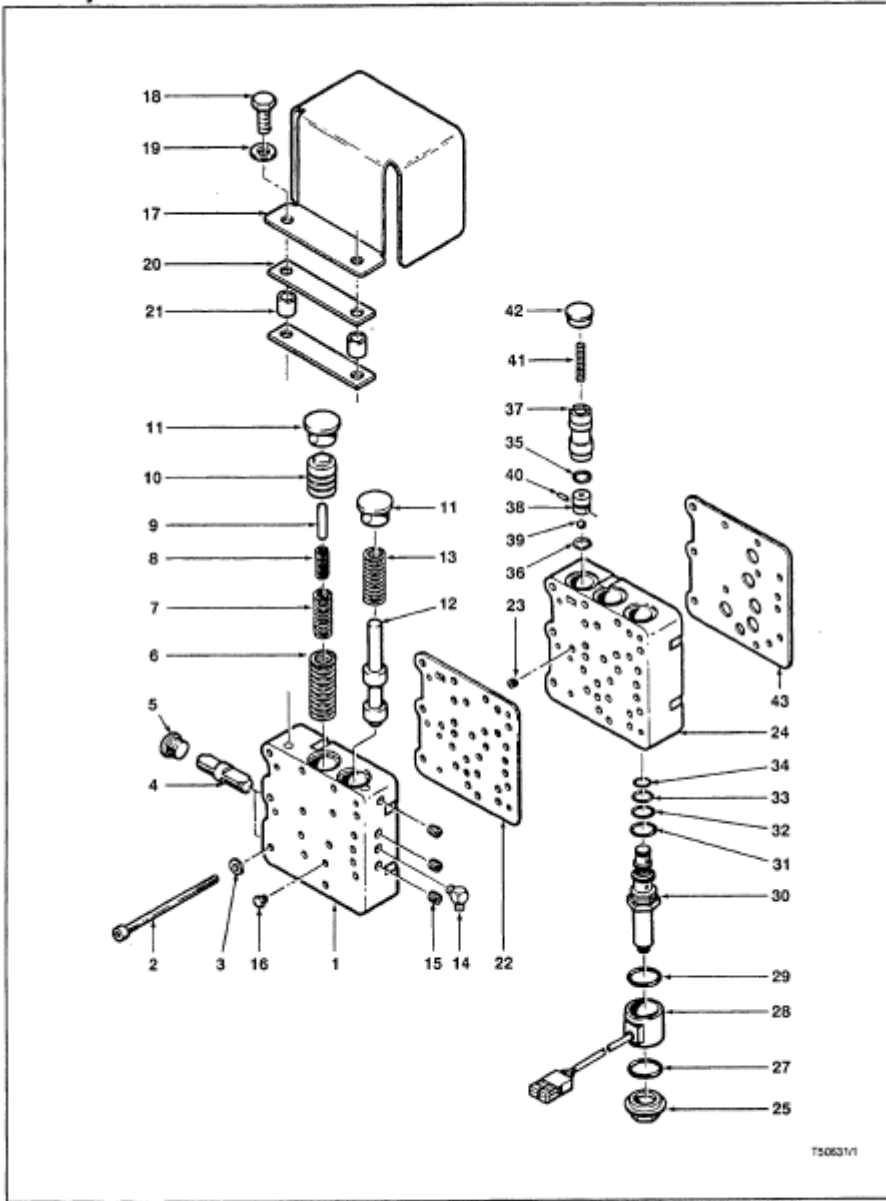


TORQUE CONVERTER - 13.7

1243-032/10

REVISION 012F

Timberjack

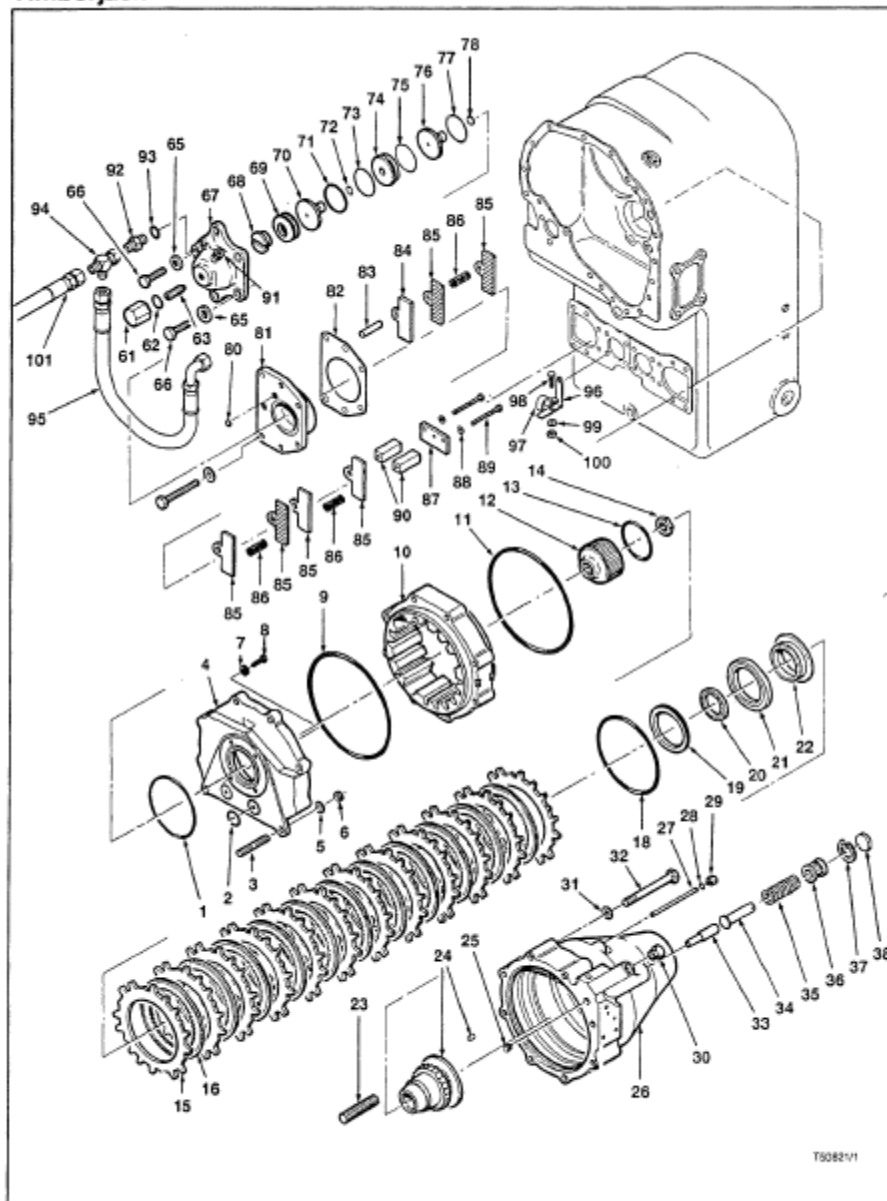


ELECTRIC CONTROL VALVE

1254-030/10

REVISION 005F

Timberjack



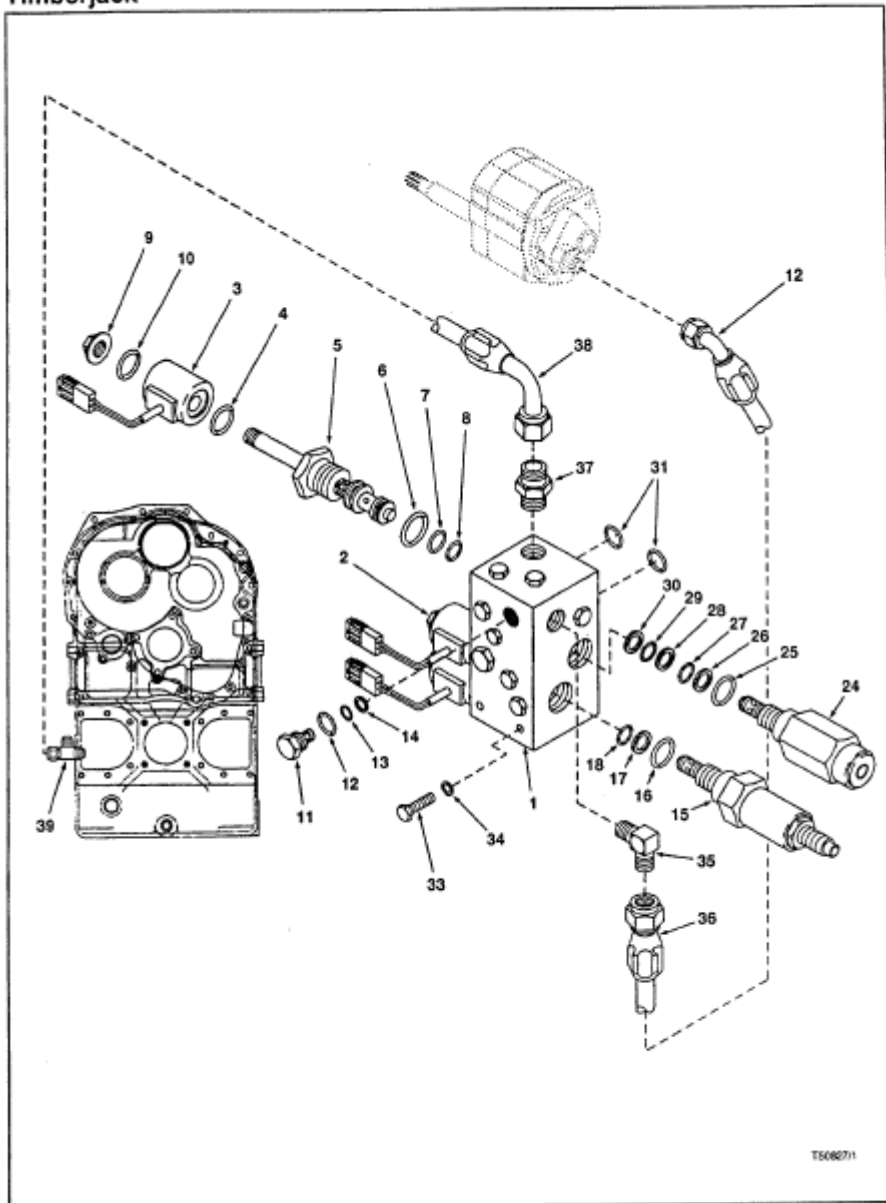
T9082V1

HYDRAULIC & SECONDARY BRAKE

1251-018/10

REVISION 005F

Timberjack



T568871

MANIFOLD - CONTROL

1254-034/10

REVISION 012F