

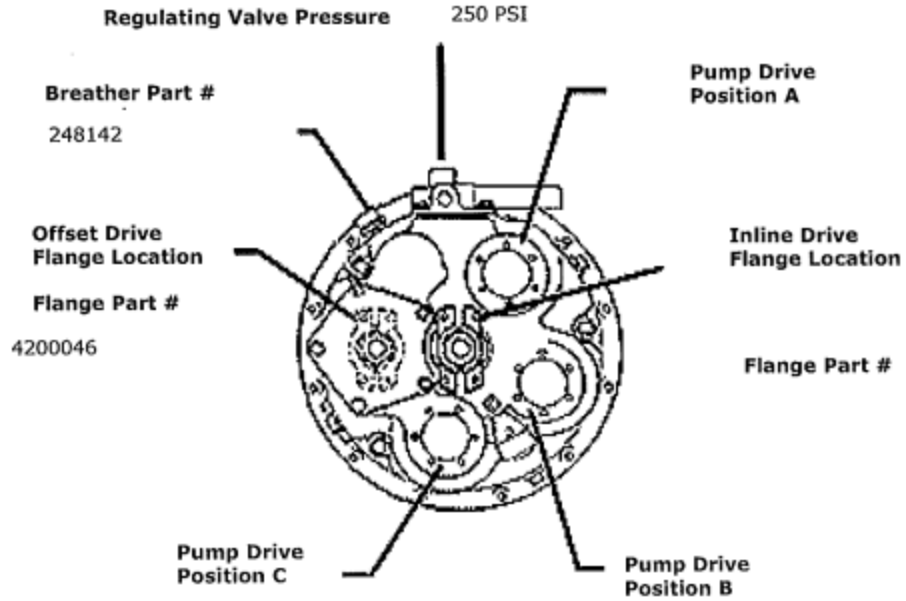
Service Parts List

Transmission
293445
CL273.3-7

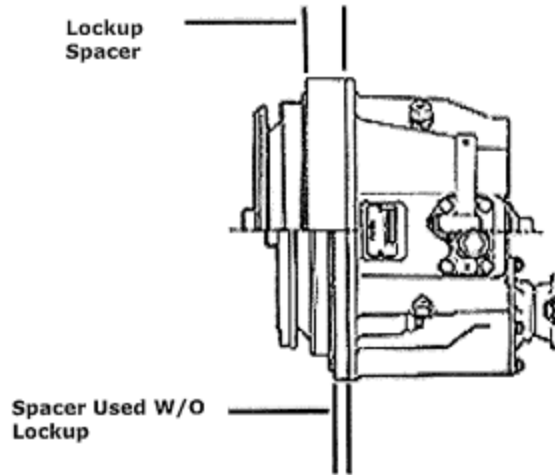


SPICER OFF-HIGHWAY PRODUCTS

Model CL273.3-7
Part No. 293445
Date 31/10/2007



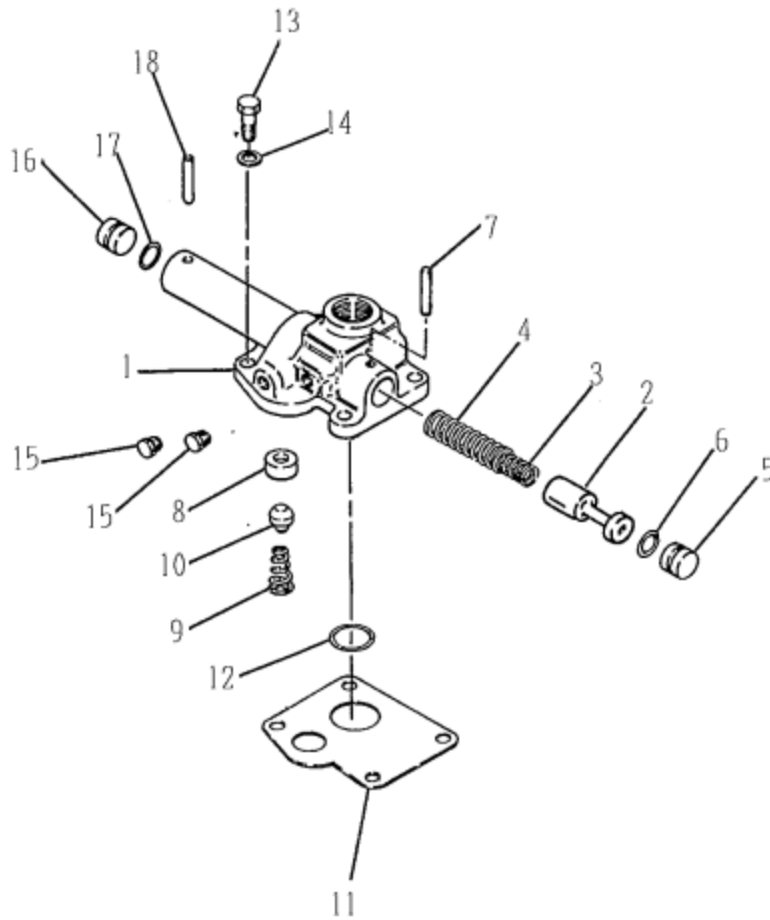
Charging Pump G.P.M. 21 GPM





SPICER OFF-HIGHWAY PRODUCTS DIVISION

PRESSURE REGULATING VALVE

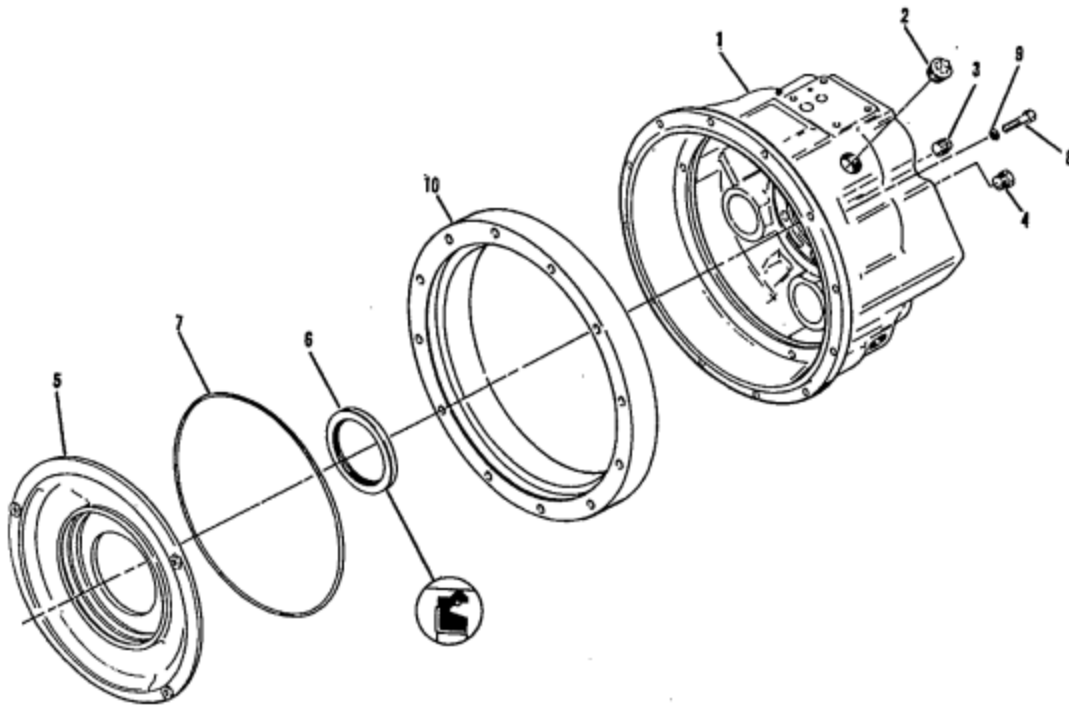


GRPC32001



SPICER OFF-HIGHWAY PRODUCTS DIVISION

CONVERTER HOUSING & OIL BAFFLE GROUP

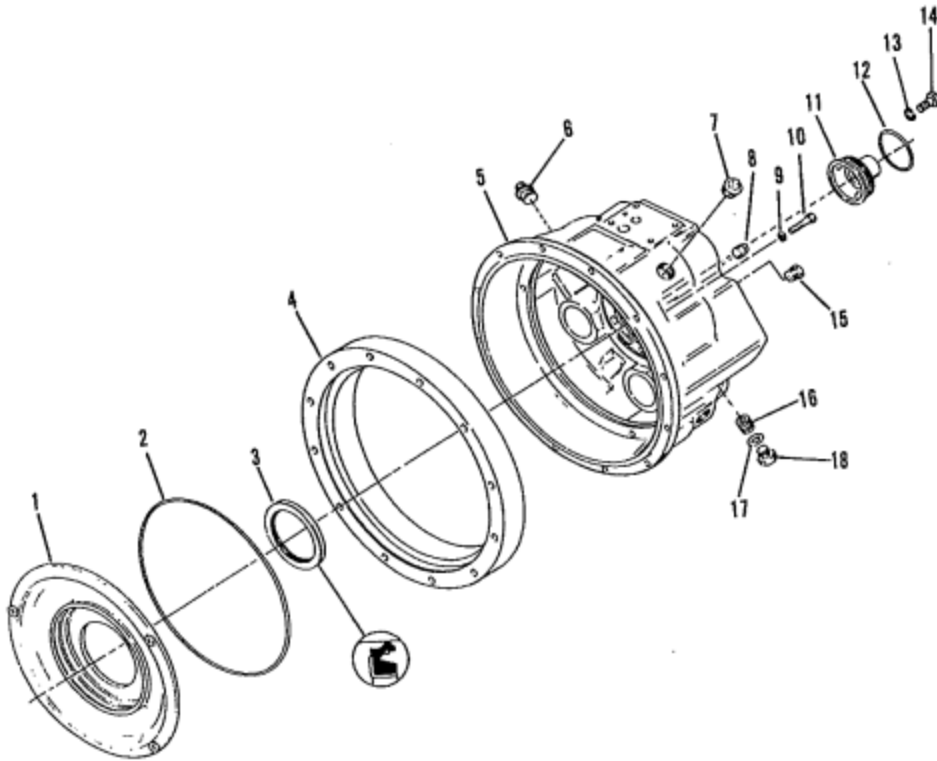


GRPC32006



SPICER OFF-HIGHWAY PRODUCTS DIVISION

CONVERTER HOUSING AND OIL BAFFLE GROUP
FLEX PLATE DRIVE

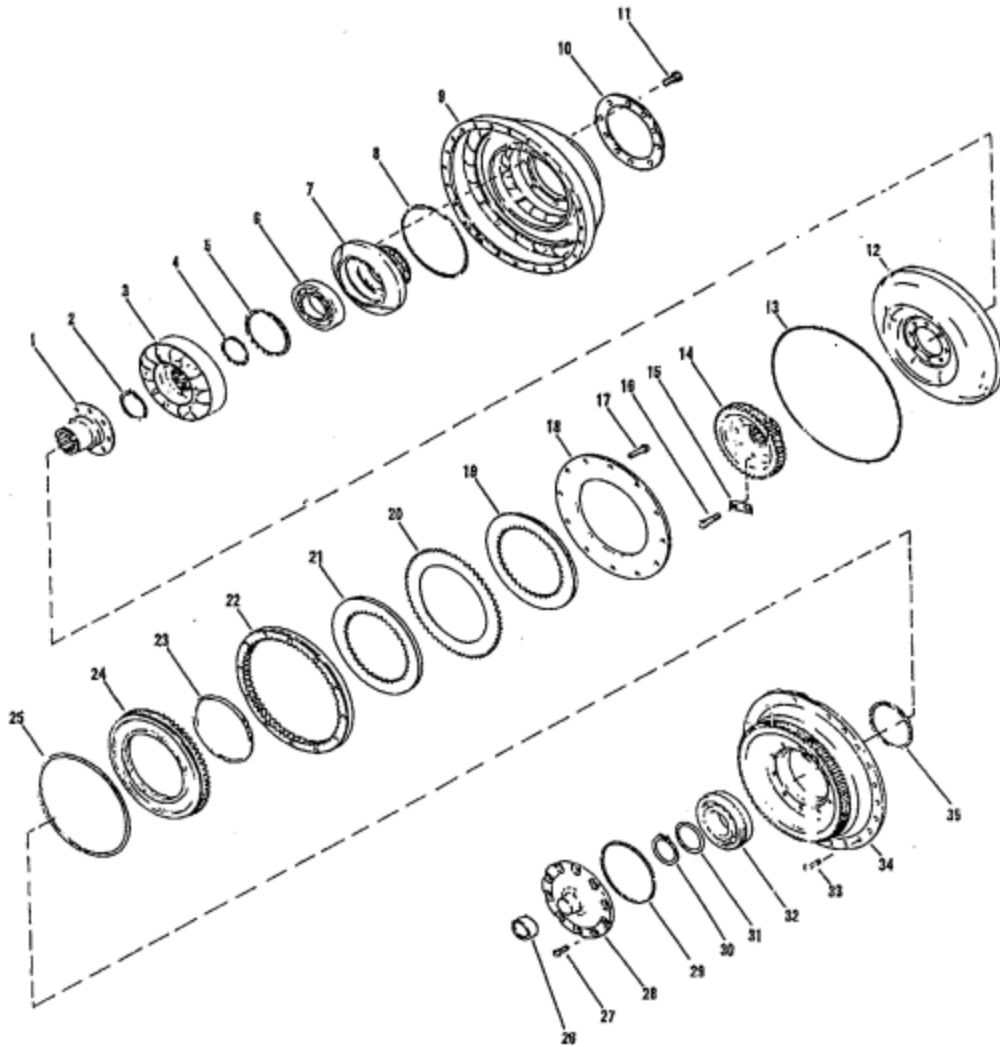


GRPC32009



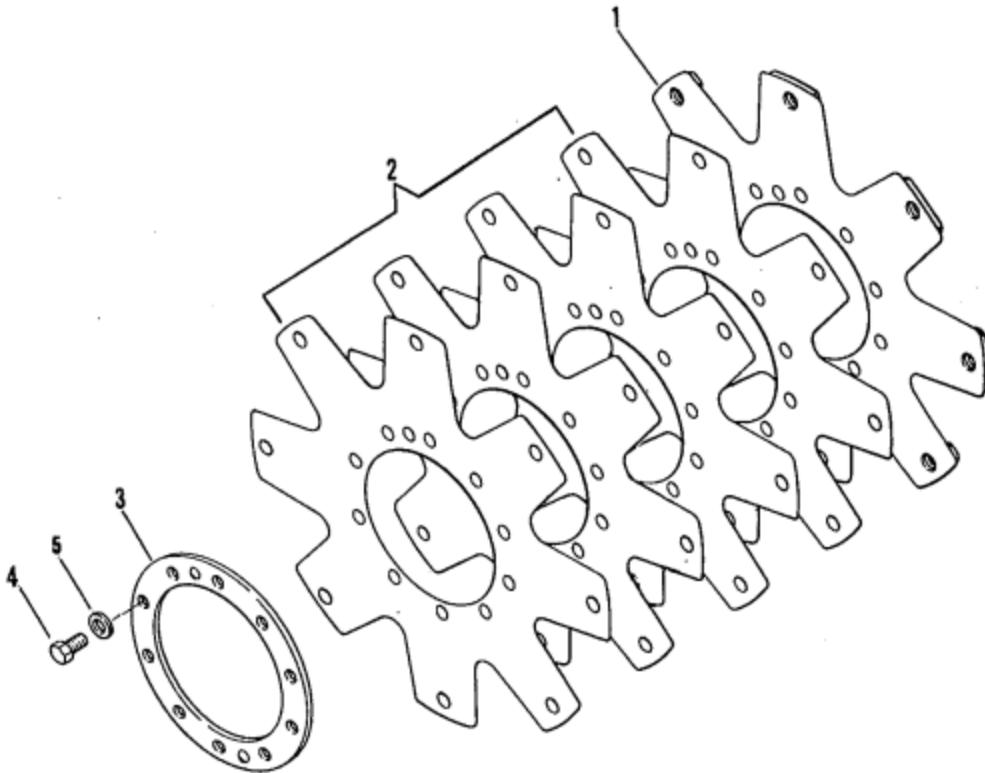
SPICER OFF-HIGHWAY PRODUCTS DIVISION

32000 WHEEL GROUP



GRP32252

DRIVE PLATE GROUP

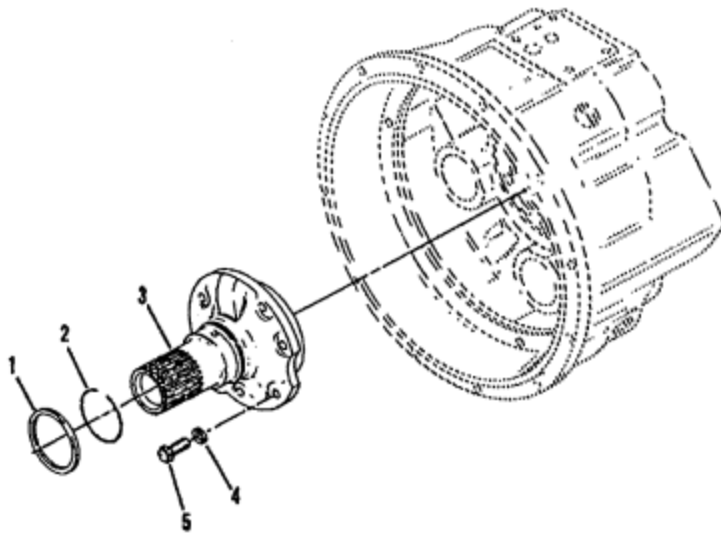


GRPC32051



SPICER OFF-HIGHWAY PRODUCTS DIVISION

STATOR SUPPORT GROUP

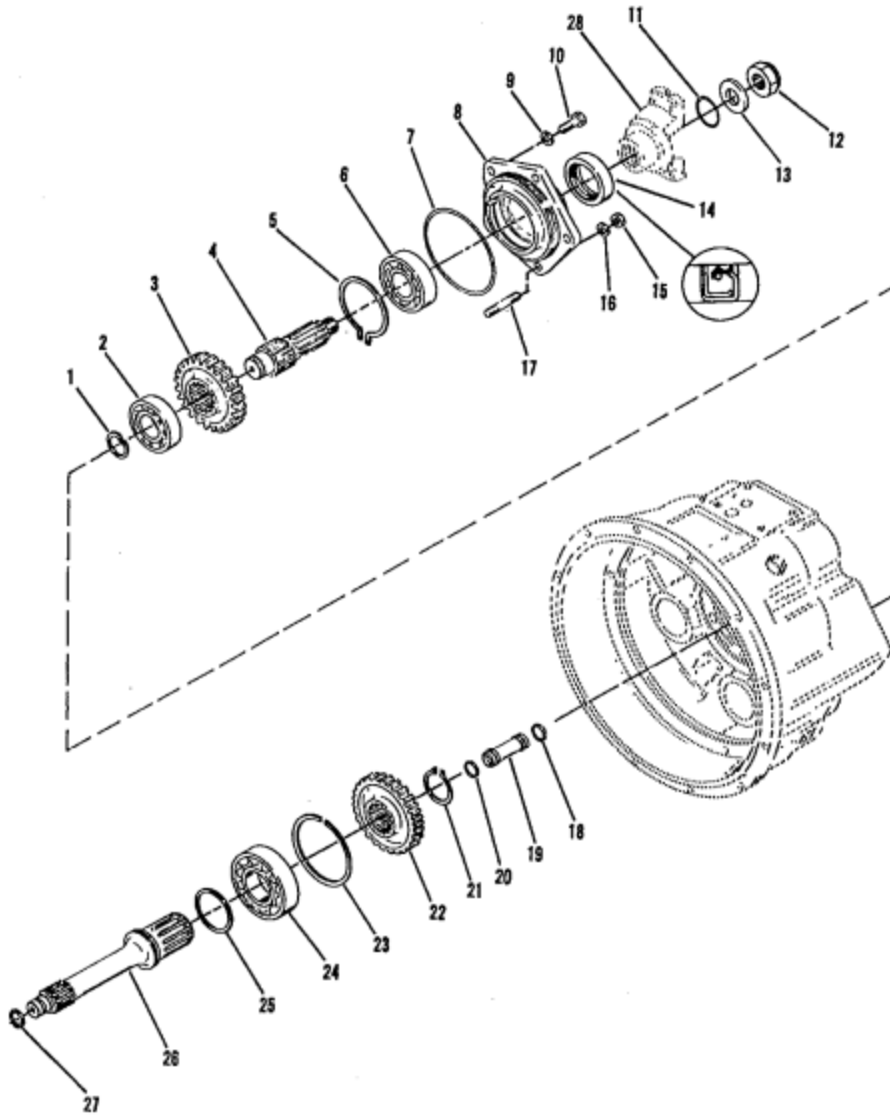


GRPC32016



SPICER OFF-HIGHWAY PRODUCTS DIVISION

6320
OUTPUT & TURBINE SHAFT GROUP
WITH LOCK-UP



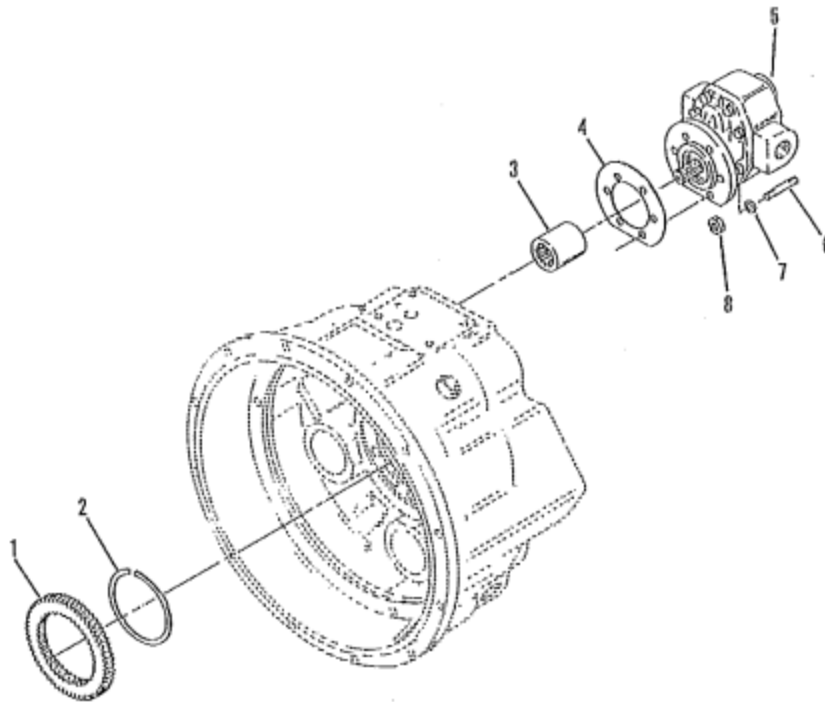
GRPC32023



SPICER OFF-HIGHWAY PRODUCTS DIVISION

CHARGING PUMP GROUP

Thu Feb 10 14:50:01 2011 MN COPS

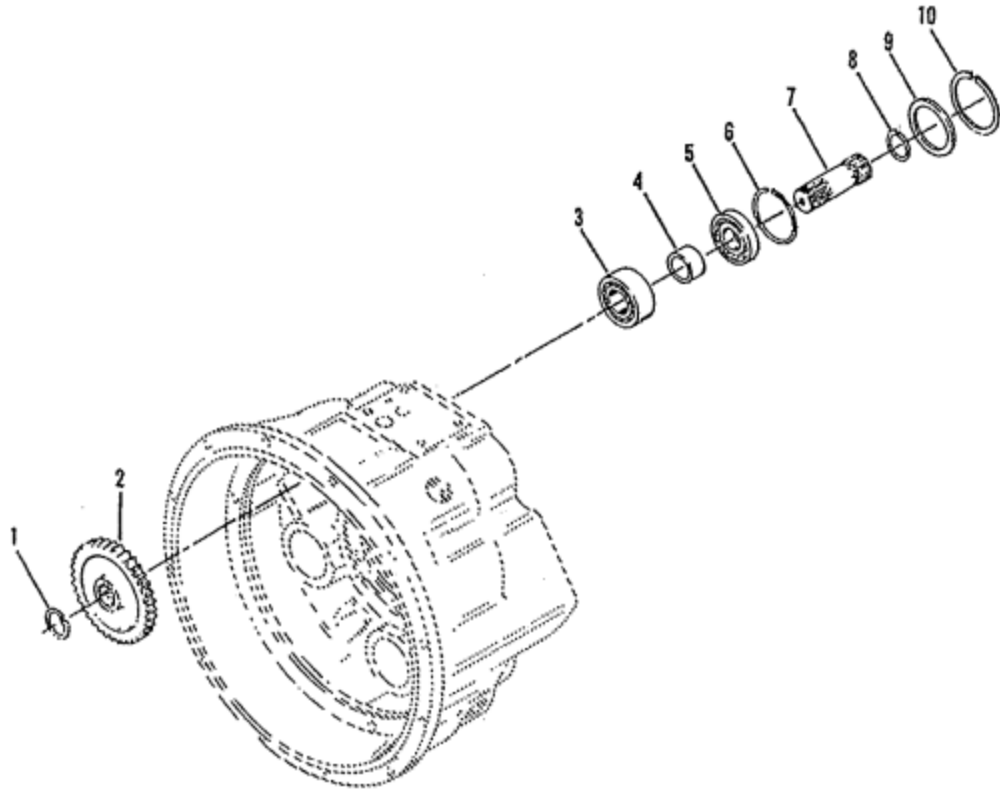


GRPC32026



SPICER OFF-HIGHWAY PRODUCTS DIVISION

PUMP DRIVE GROUP

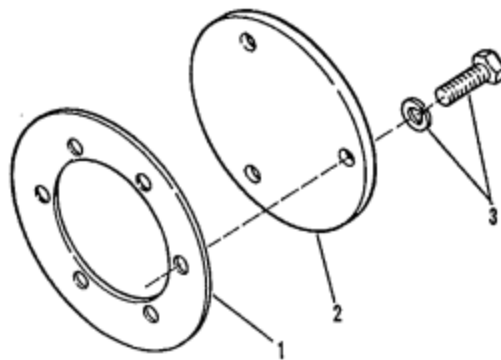


GRPC32031



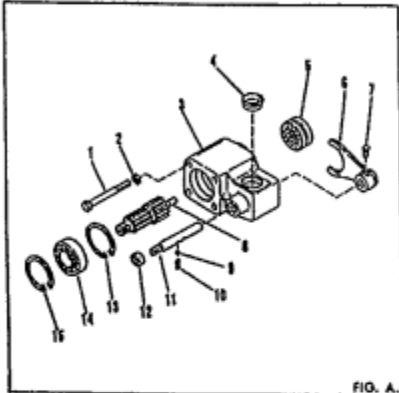
SPICER OFF-HIGHWAY PRODUCTS DIVISION

PUMP COVER GROUP

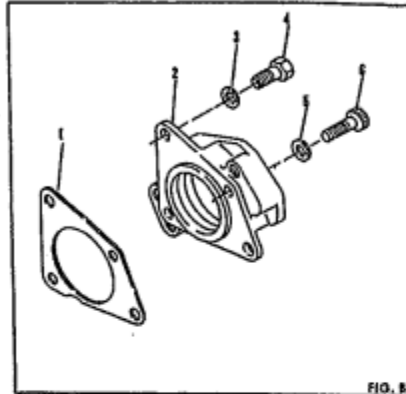


GRPC32041

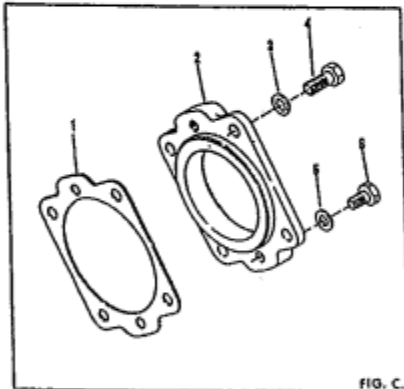
R & HR 28000 SERIES - VARIOUS OPTIONS
 (FOR ADDITIONAL OPTIONS SEE REVERSE SIDE)



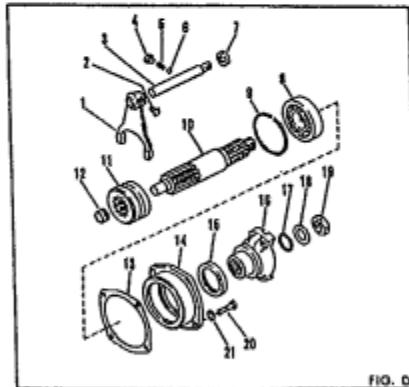
DISCONNECT ASSEMBLY



"A" SIZE TO "B" SIZE PUMP ADAPTOR

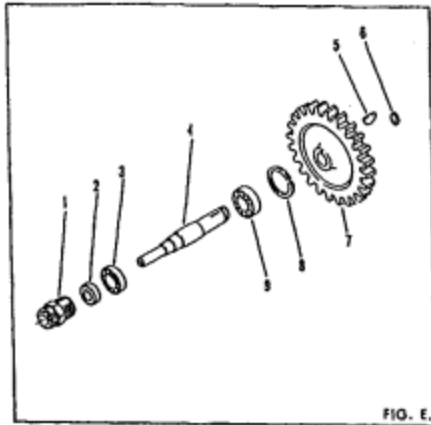


"B" SIZE PUMP ADAPTOR

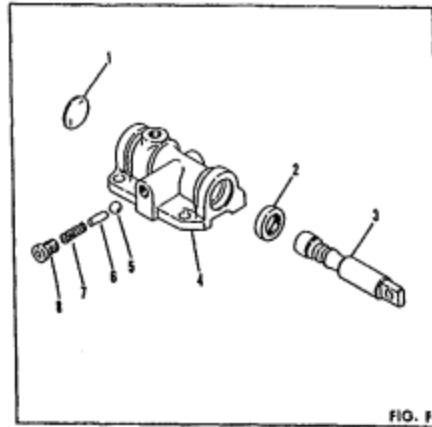


FORWARD & REVERSE P.T.O.

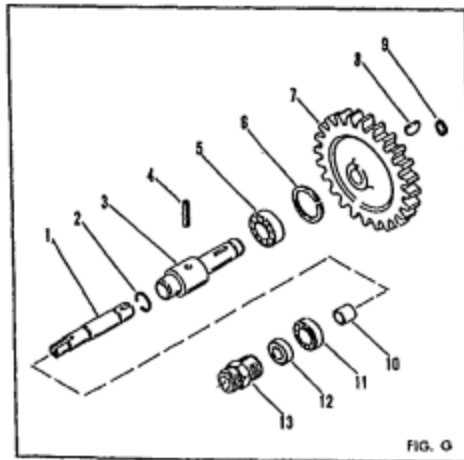
SEV 316 6-82



TACHOMETER DRIVE



LOCK-UP CONTROL

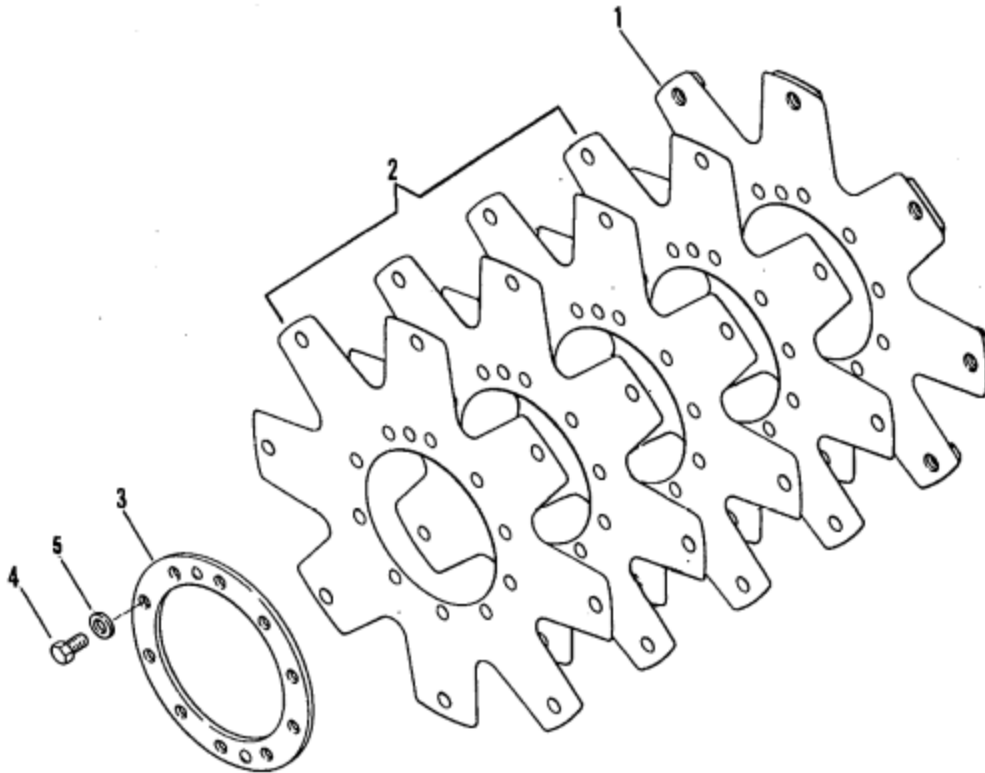


GOVERNOR DRIVE



SPICER OFF-HIGHWAY PRODUCTS DIVISION

DRIVE PLATE GROUP

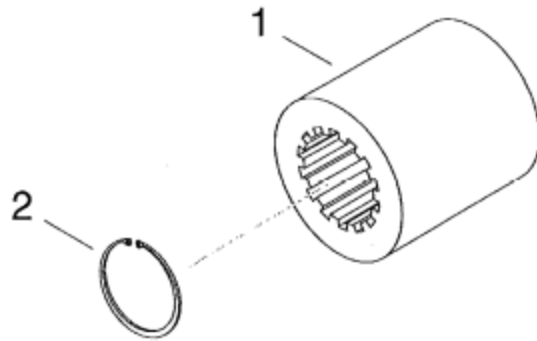


GRPC32051

SPICER OFF-HIGHWAY PRODUCTS, DANA CORPORATION
293 GLENWAY DRIVE STATESVILLE, NC 28625 TEL: (704) 878-5608

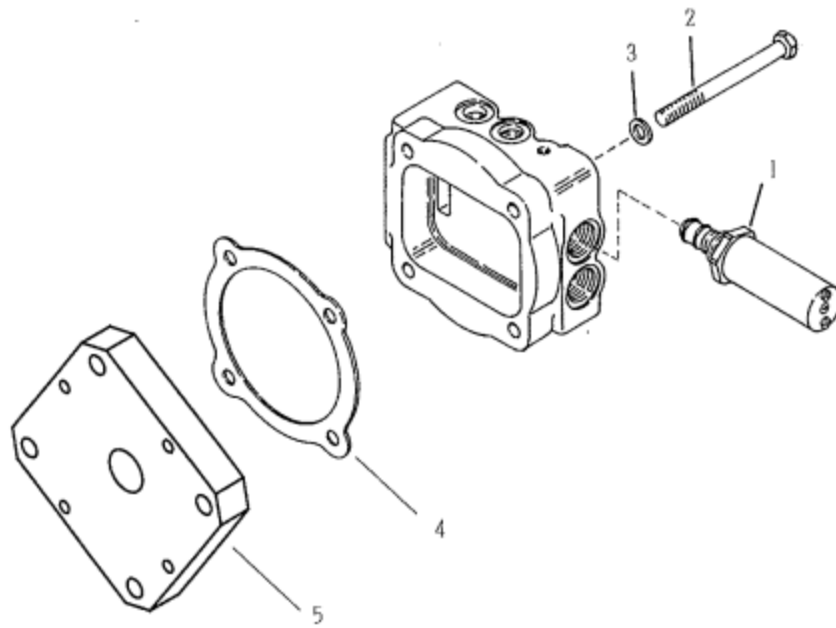
TE32

ASSY-PUMP DRIVE ADAPTOR SLEEVE & SNAP RING

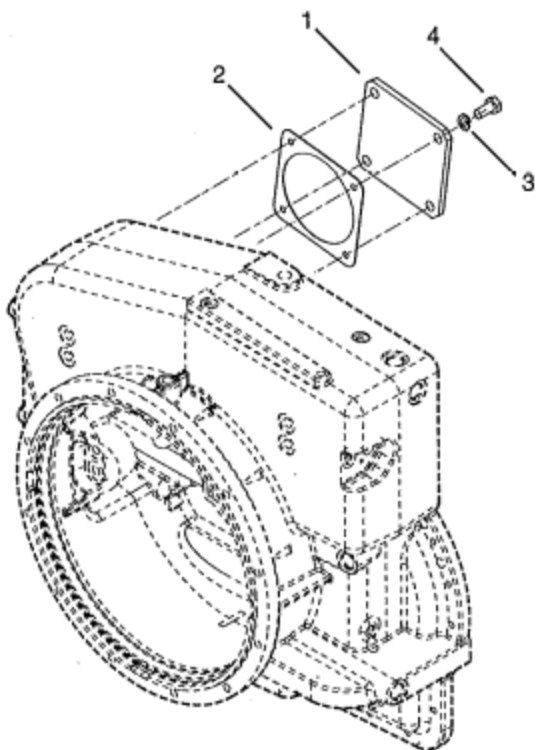


36000

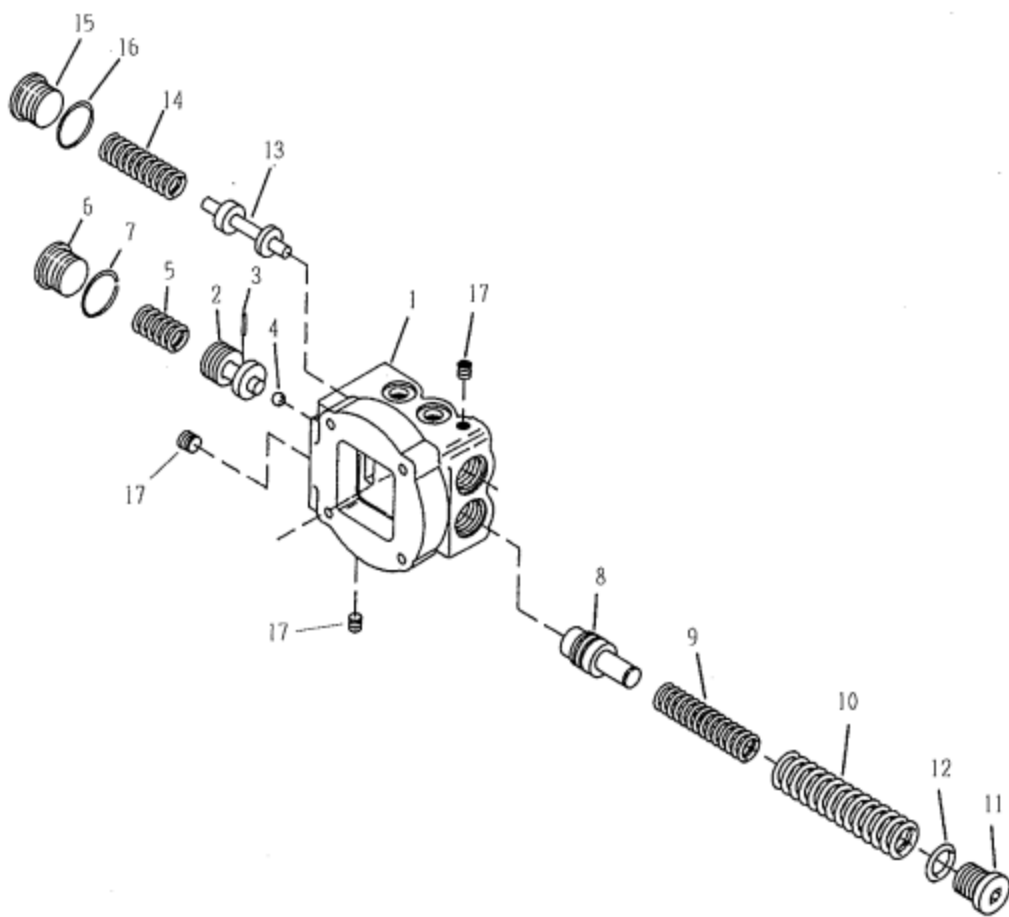
LOCK-UP MODULATOR VALVE ASSEMBLY



TE17
SHIPPING COVER GROUP



36000
LOCK-UP MODULATOR VALVE ASSEMBLY





Technical Service Bulletin

N° BEA 79 Rev 2

Month – Year: 09-2007

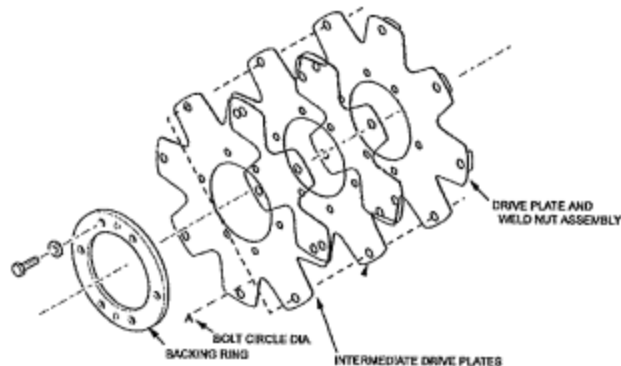
Instruction sheet 802334

Subject: 28000 / 32000 & TE15 Series Transmissions and C270 / C320 Series Converters Drive plate kits

Reason for bulletin: Proper Identification by Bolt Circle Diameter

Models affected: C270/C320 Converters
28000/32000 Transmissions
TE15

Measure "A" dimension (Bolt Circle Diameter) and order Drive plate kit listed below.



"A" Dimension (Bolt Circle Diameter)

13.125" [333,375 mm] diameter
Kit nr 802335

15.000" [381,000 mm] diameter
Kit nr 8100290

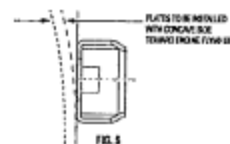
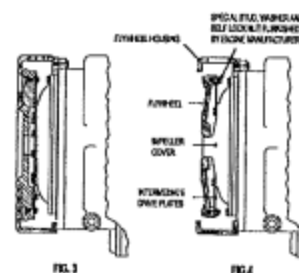
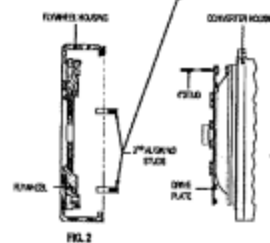
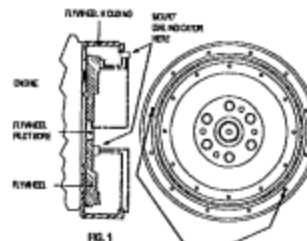
17.000" [431,800 mm] diameter
with imperial nuts
Kit nr 802454

13.500" [342,900 mm] diameter
Kit nr 802333

17.000" [431,800 mm] diameter
with Metric nuts
Kit nr 8100252

Transmission to Engine Installation Procedure

1. Remove all burrs from flywheel mounting face and nose pilot bore. Clean drive plate surface with solvent.
2. Check engine flywheel and housing for conformance to standard SAE#3 - SAE J-927 tolerance specifications for pilot bore size, pilot bore runout and mounting face flatness. Measure and record engine crankshaft end play.
3. Install two (2) 3.50 [88,9 mm] long transmission to flywheel housing guide studs in the engine flywheel housing as shown. Rotate the engine flywheel to align a drive plate mounting screw hole with the flywheel housing access hole.
4. Install a 4.00 [101,6 mm] long drive plate locating stud. 0.3750-24 fine thread in a drive plate nut. Align the locating stud in the drive plate with the flywheel drive plate mounting screw hole positioned in step 3.
5. Locate transmission on flywheel housing aligning drive plate to flywheel and transmission to flywheel housing. Install transmission to flywheel housing screws. Tighten screws to specified torque. Remove transmission to engine guide studs. Install remaining screws and tighten to specified torque.
6. Remove drive plate locating stud.
7. Install drive plate attaching screw and washer. Snug screw but do not tighten. Some engine flywheel housings have a hole located on the flywheel housing circumference in line with the drive plate screw access hole. A screwdriver or pry bar used to hold the drive plate against the flywheel will facilitate installation of drive plate screws. Rotate the engine flywheel and install the remaining seven (7) flywheel to drive plate attaching screws. Snug screws but do not tighten. After all eight (8) screws are installed torque each screw to 25 to 30 Ft. lbs [33,9 - 40,6 Nm]. This will require torquing each screw and rotate the engine flywheel until the full amount of eight (8) screws have been tightened.
8. Measure engine crankshaft end play after transmission has been completely installed on engine flywheel. This value must be within .001 [0,025 mm] of the end play recorded in step 2.



Additional copies of this bulletin available upon request.
 Phone Spicer Off-Highway at : (+39) 0464-580200 (Italy) - (+32) 050-402442 (Belgium) - (+1) 704-878 5744 (USA)

People Finding A Better Way