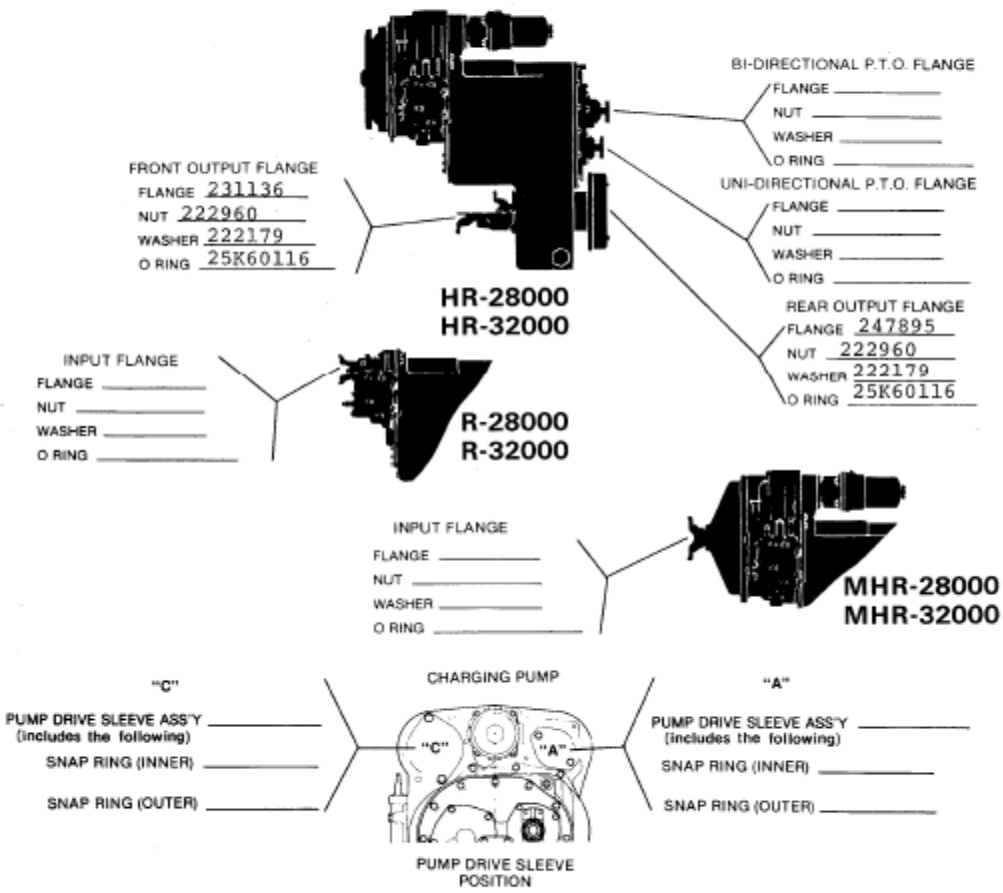


**CLARK-HURTH**  
COMPONENTS

MODEL NO. 12.1HR28428-501  
 PART NO. 292517  
 DATE 23 July, 98

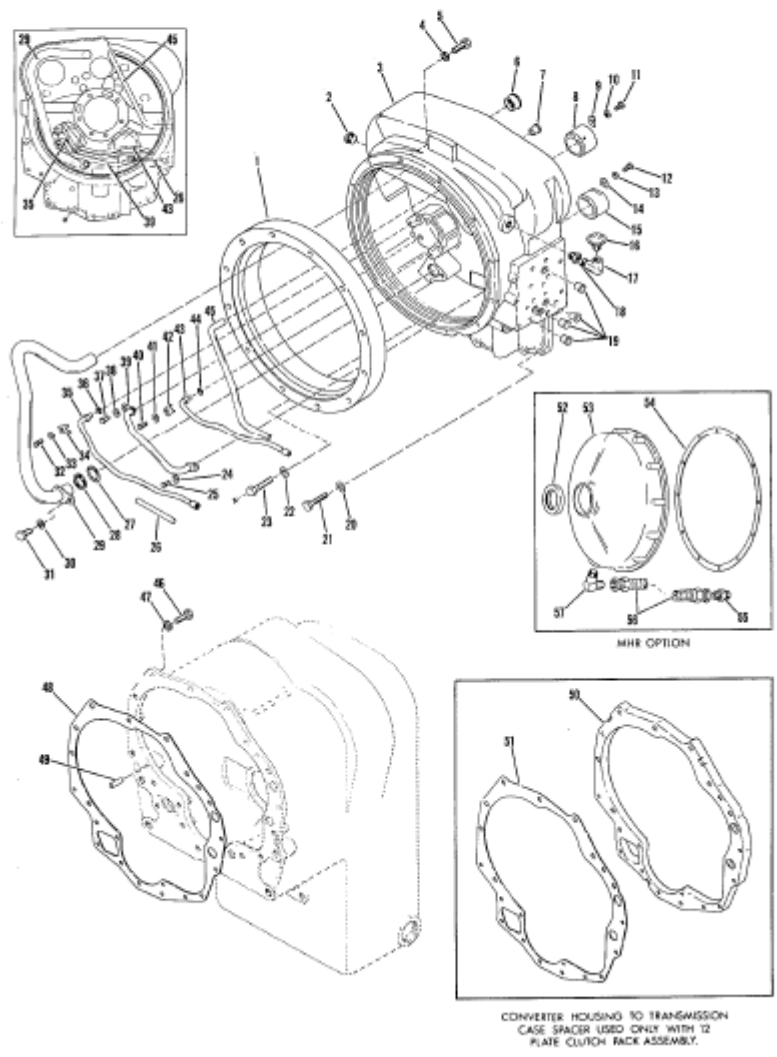


OVER FOR ADDITIONAL SPECIAL PARTS

**CLARK**

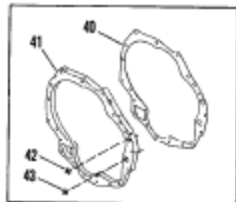
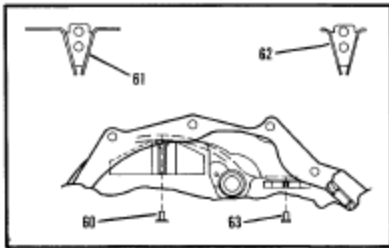
**CLARK**

**32000  
CONVERTER HOUSING GROUP  
WITH MODULATION BY PASS**

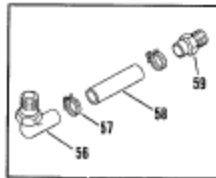
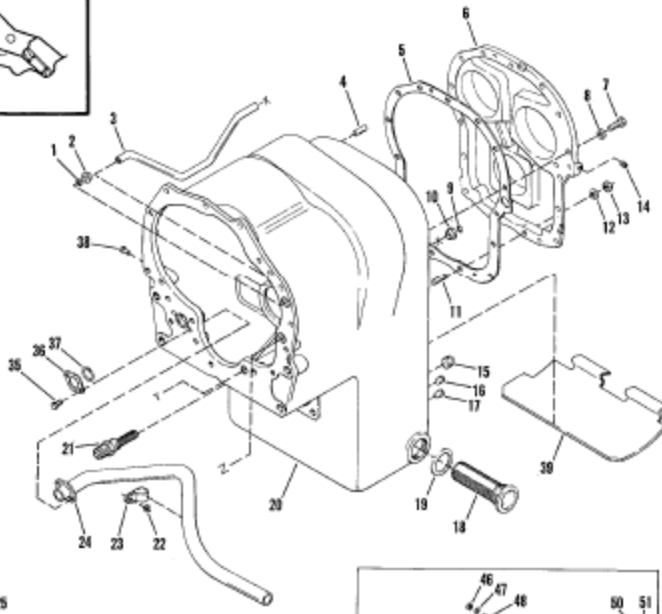
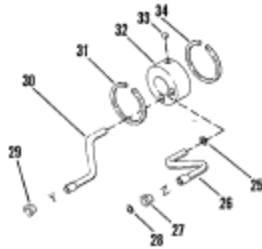


# CLARK-HURTH

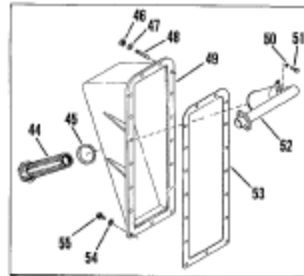
COMPONENTS



CONVERTER HOUSING TO TRANSMISSION  
CASE SPACER USED ONLY WITH 12  
PLATE CLUTCH PACK ASSEMBLY.



DRAIN BACK HOSE  
OPTION

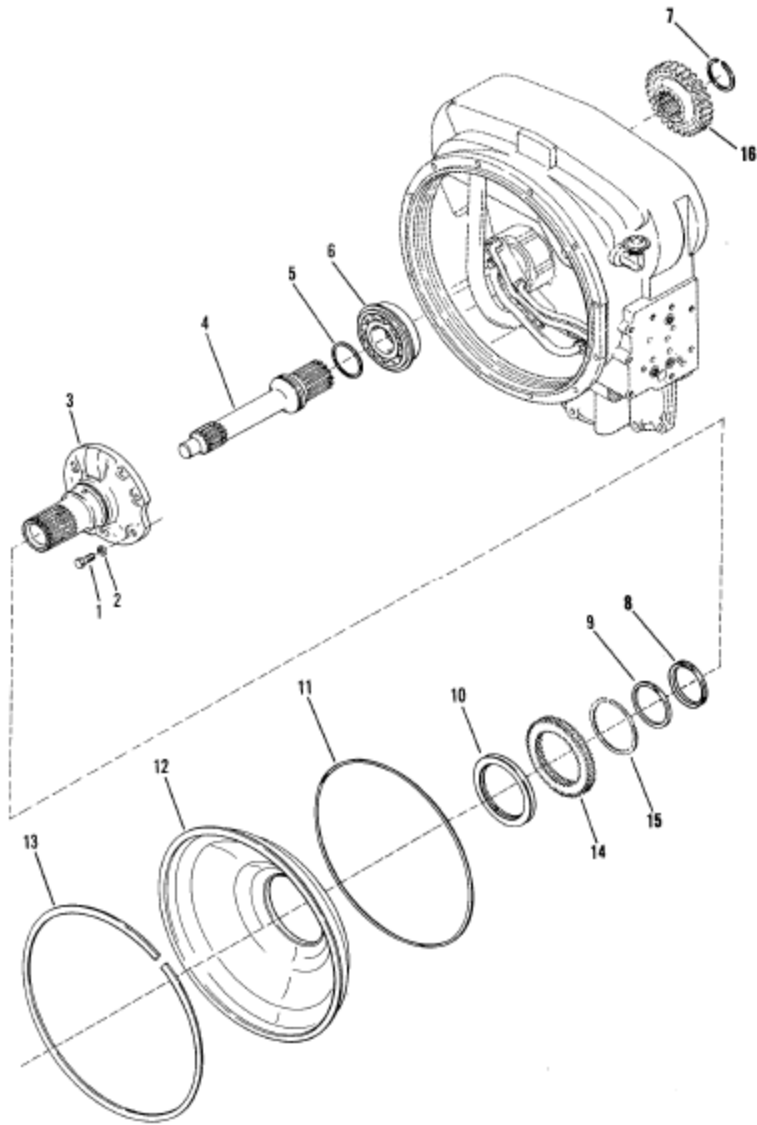


SPECIAL SUMP

©Copyright Clark Equipment Company 1983  
Unpublished material - All rights reserved

GRP-2 (REV. 3-83)

**CLARK-HURTH**  
COMPONENTS



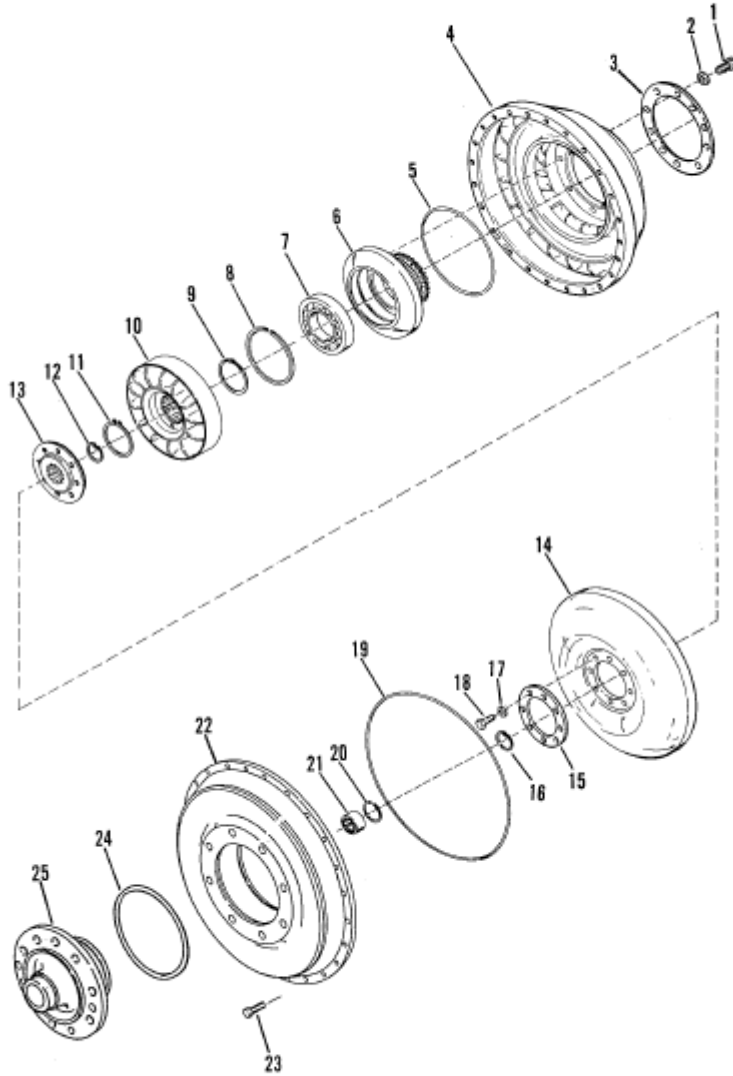
©Copyright Clark Equipment Company, 1991  
Unpublished material - All rights reserved

GRP-11 3-82

**CLARK**

**WHEEL GROUP  
FOR FLEX PLATE DRIVE**

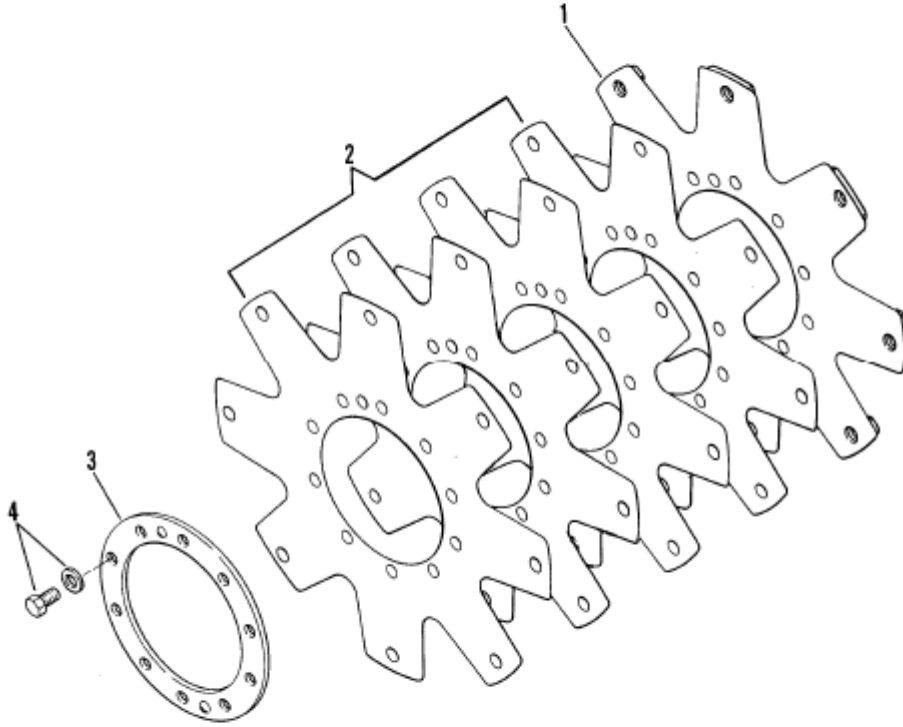
**CLARK**



GRP-C32-12 11-88

**CLARK-HURTH**  
COMPONENTS

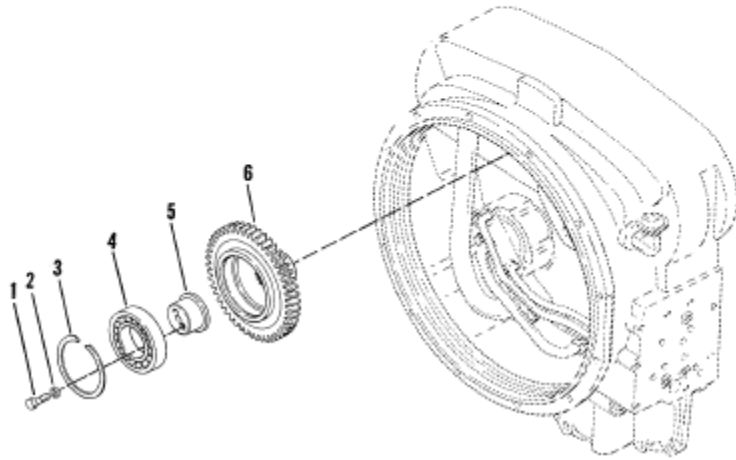
DRIVE PLATE GROUP



© Copyright Clark Equipment Company, 1998  
Unpublished material - All rights reserved

GRP-C32-51 11-88

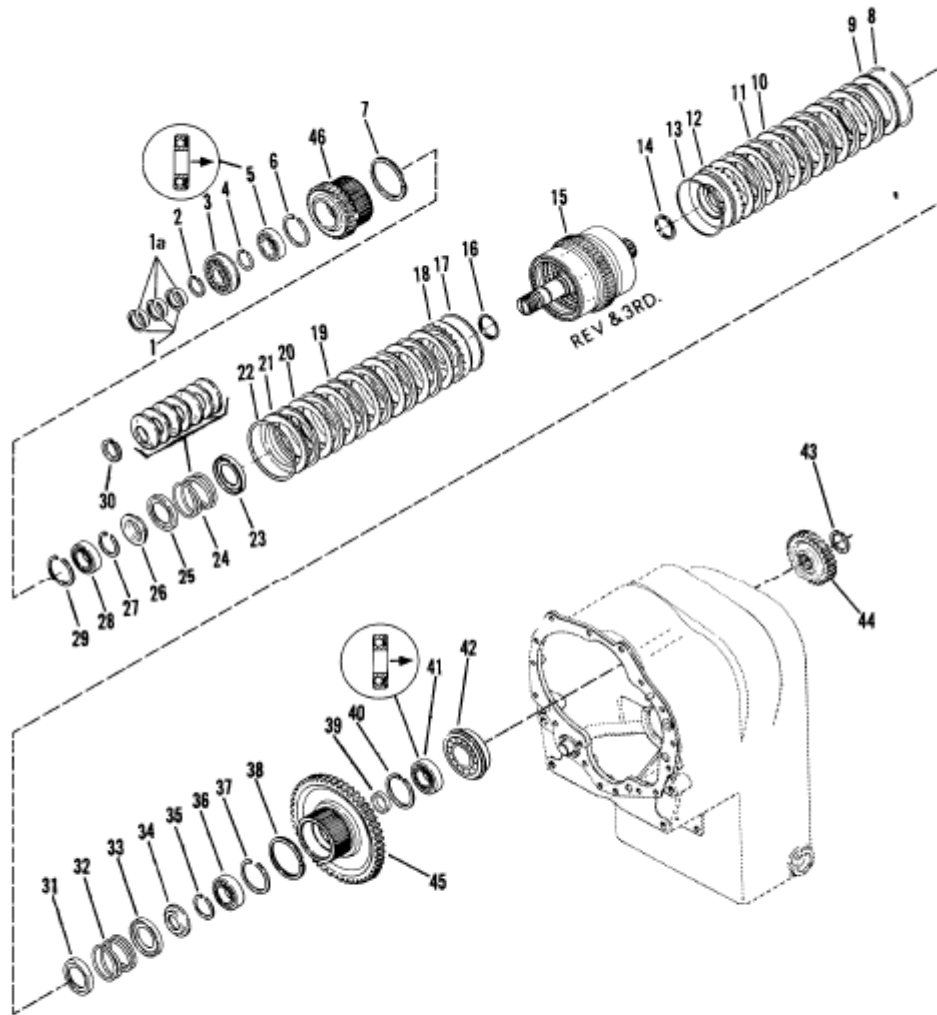
**CLARK-HURTH**  
COMPONENTS



©Copyright Clark Equipment Company, 1982  
Unpublished material - All rights reserved

GRP-31 3-82

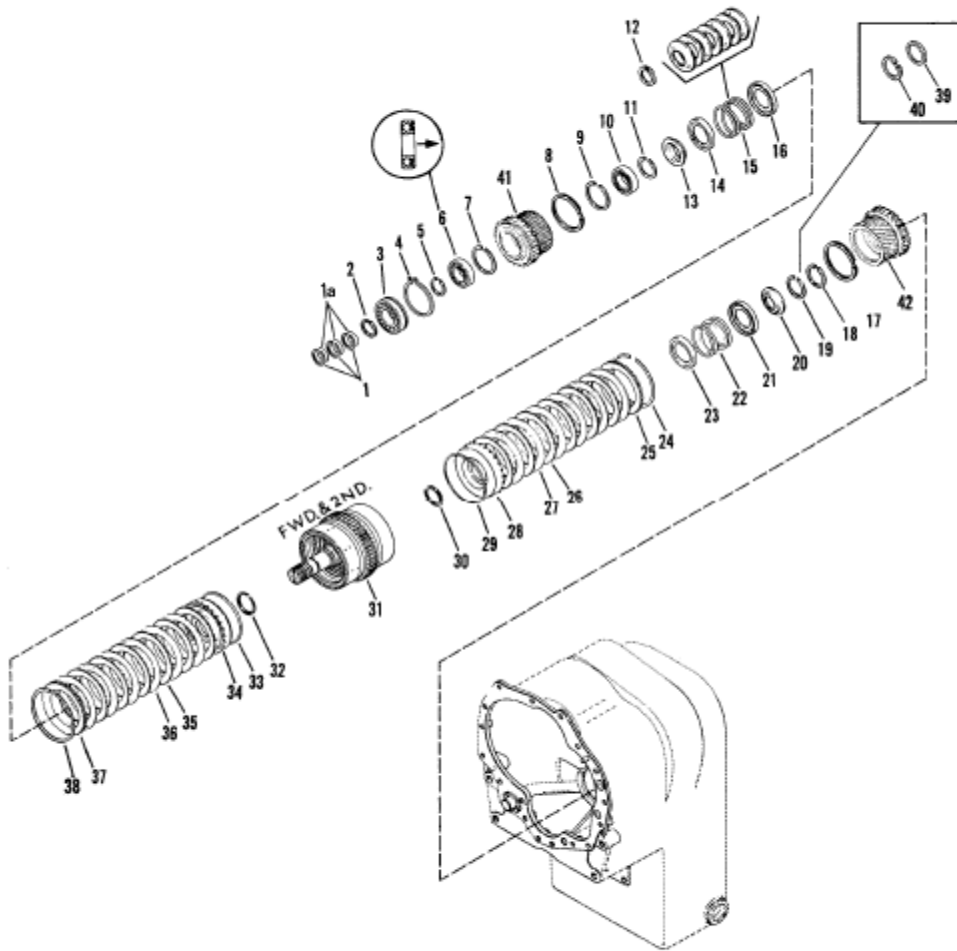
**CLARK-HURTH**  
COMPONENTS



©Copyright Clark Equipment Company, 1984  
Unpublished material - All rights reserved

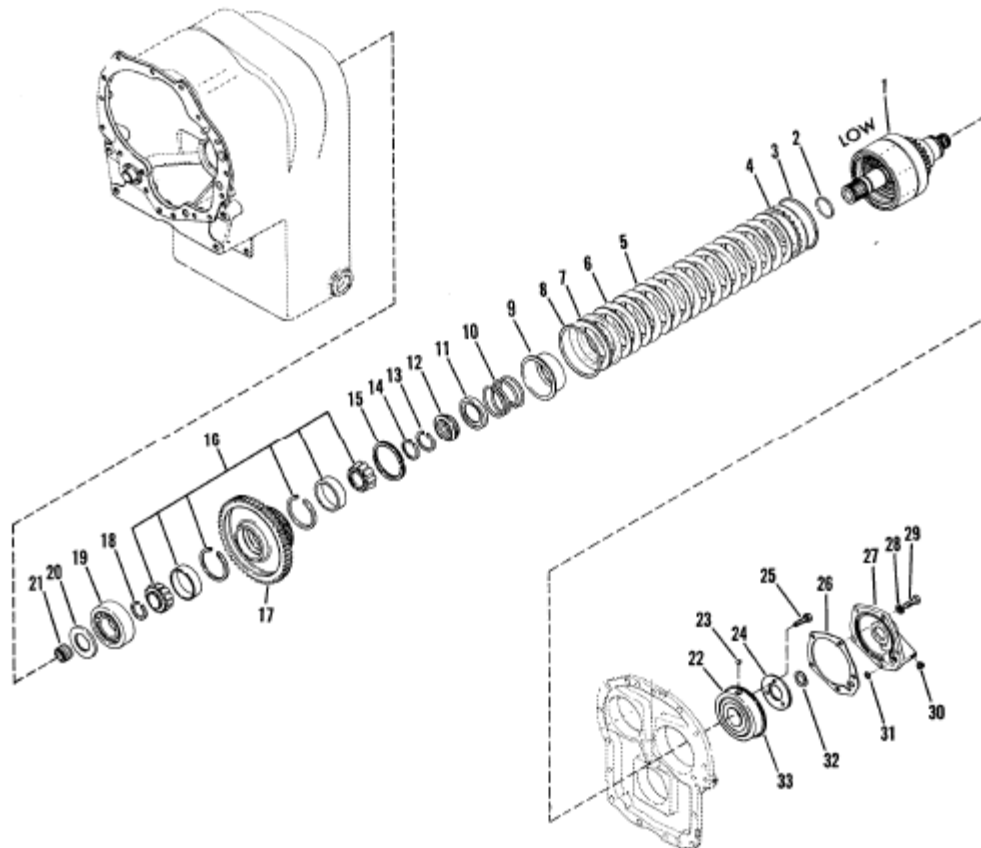
GRP-41 (Rev. 5-94)





**CLARK**

**CLARK**

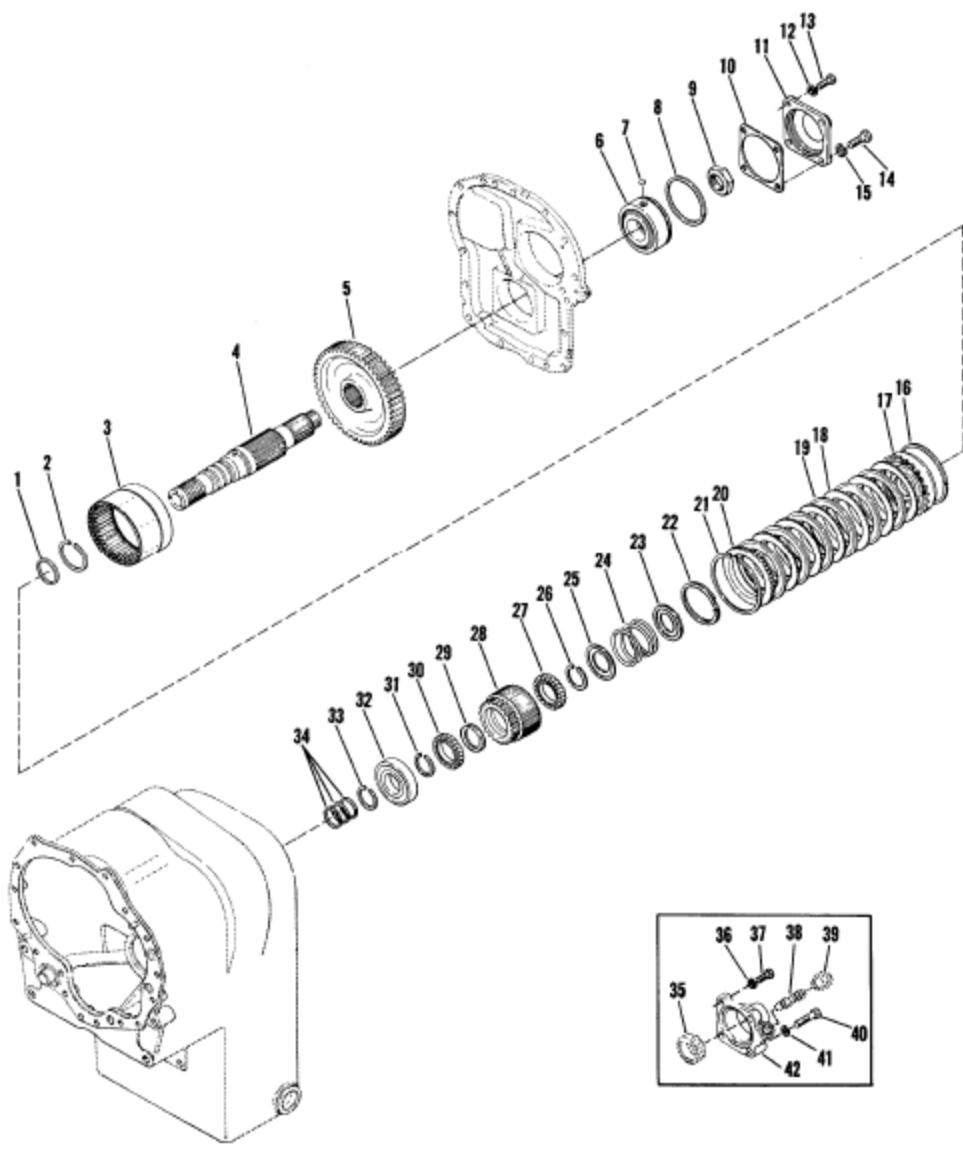


©Copyright Clark Equipment Company 1990  
Unpublished material - All rights reserved

GRP-61 (REV. 8-90)

# CLARK-HURTH

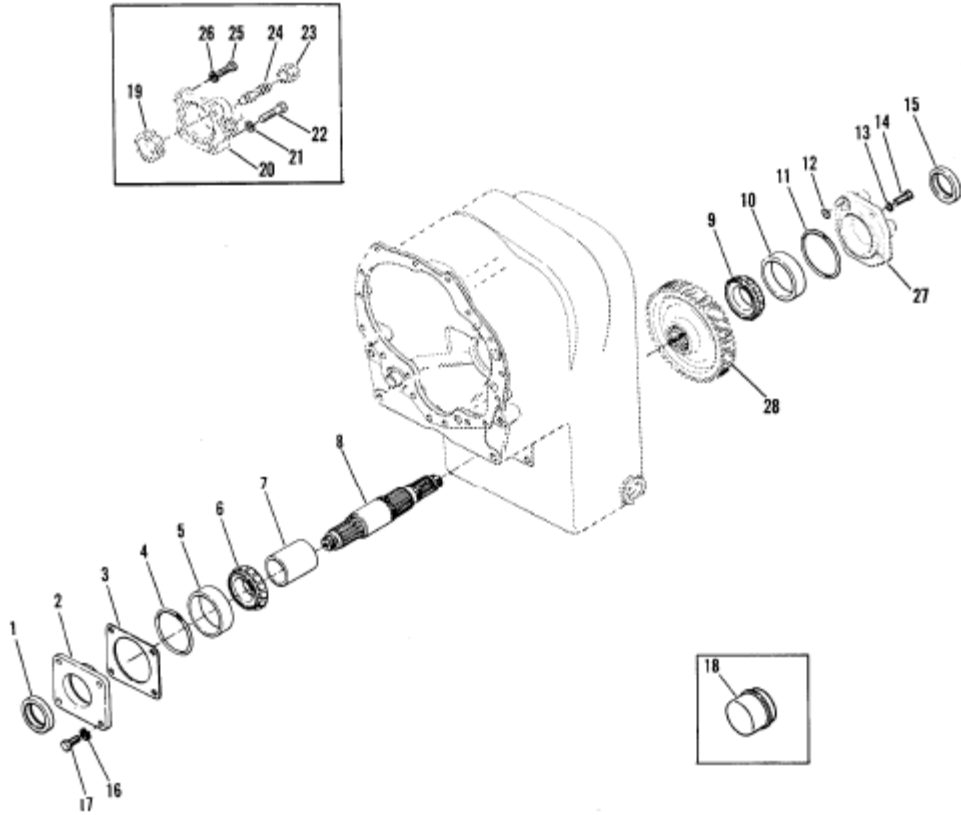
COMPONENTS



©Copyright Clark Equipment Company, 1965  
Unpublished material - All rights reserved

GRP 73 (Rev. 5-85)

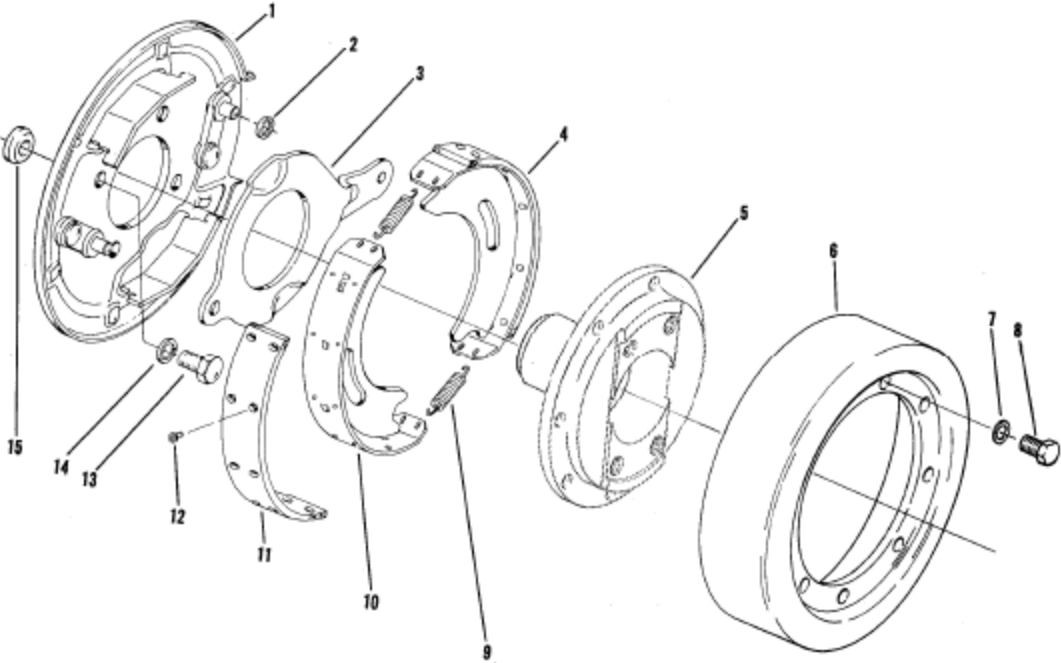
**CLARK-HURTH**  
COMPONENTS



©Copyright Clark Equipment Company, 1992  
Unpublished material - All rights reserved

GRP-81 (Rev. 10-83)

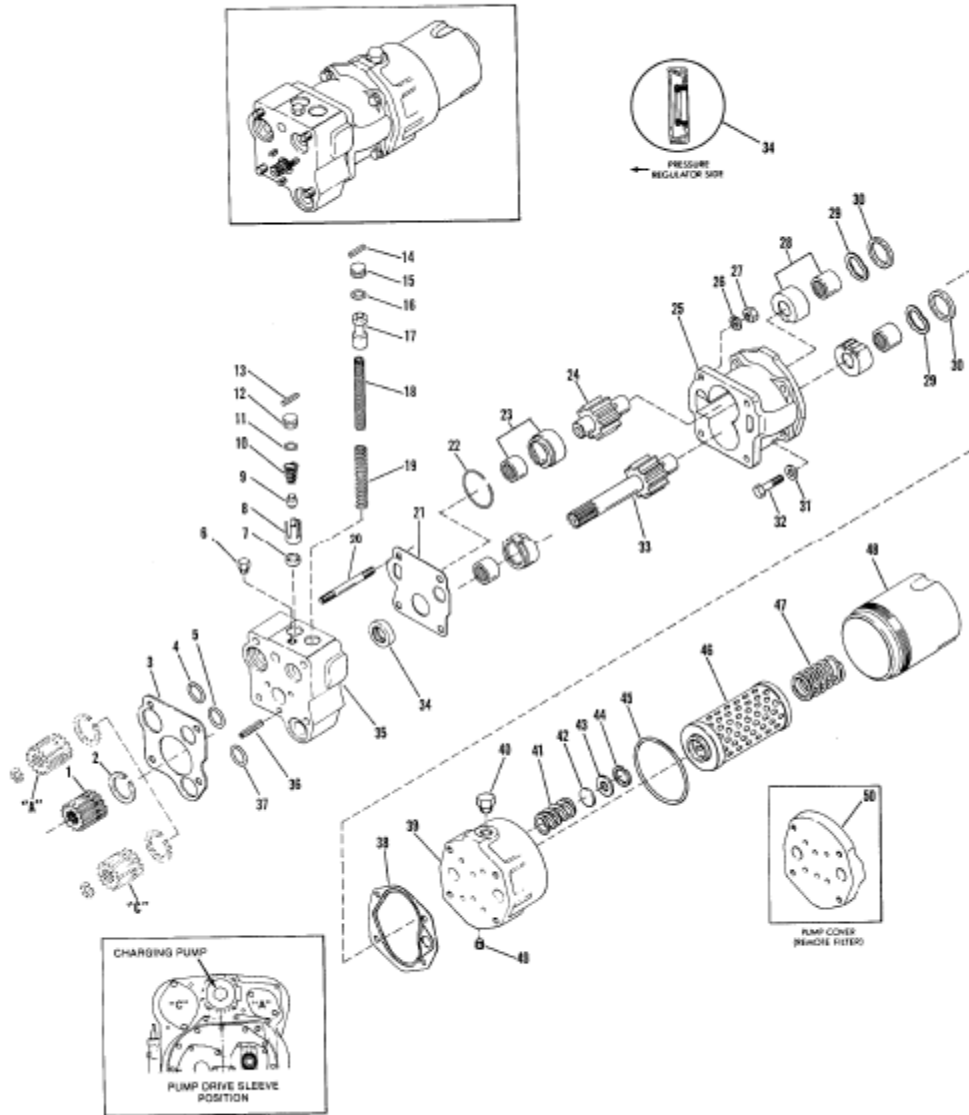
**CLARK-HURTH**  
COMPONENTS



©Copyright Clark Equipment Company, 1994  
Unpublished material - All rights reserved

GRP-92 3-82

# CLARK-HURTH COMPONENTS

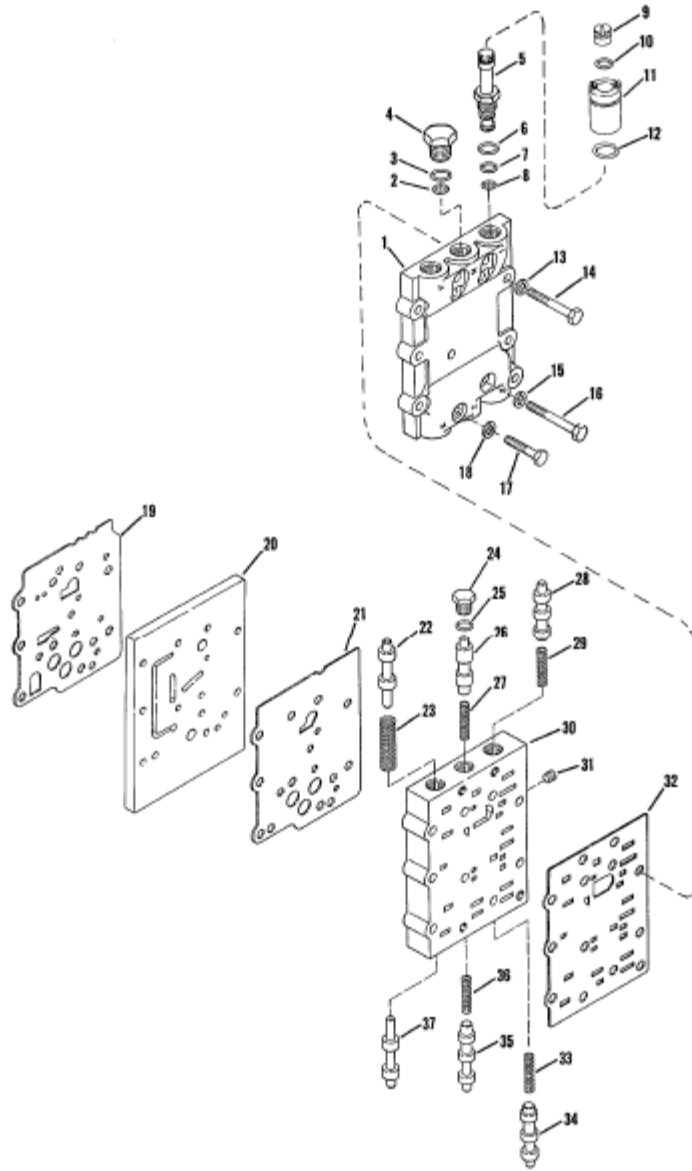


©Copyright Clark Equipment Company 1999  
Unpublished material - All rights reserved

GRP-101 (REV. 8-90)

**CLARK**

**CLARK**

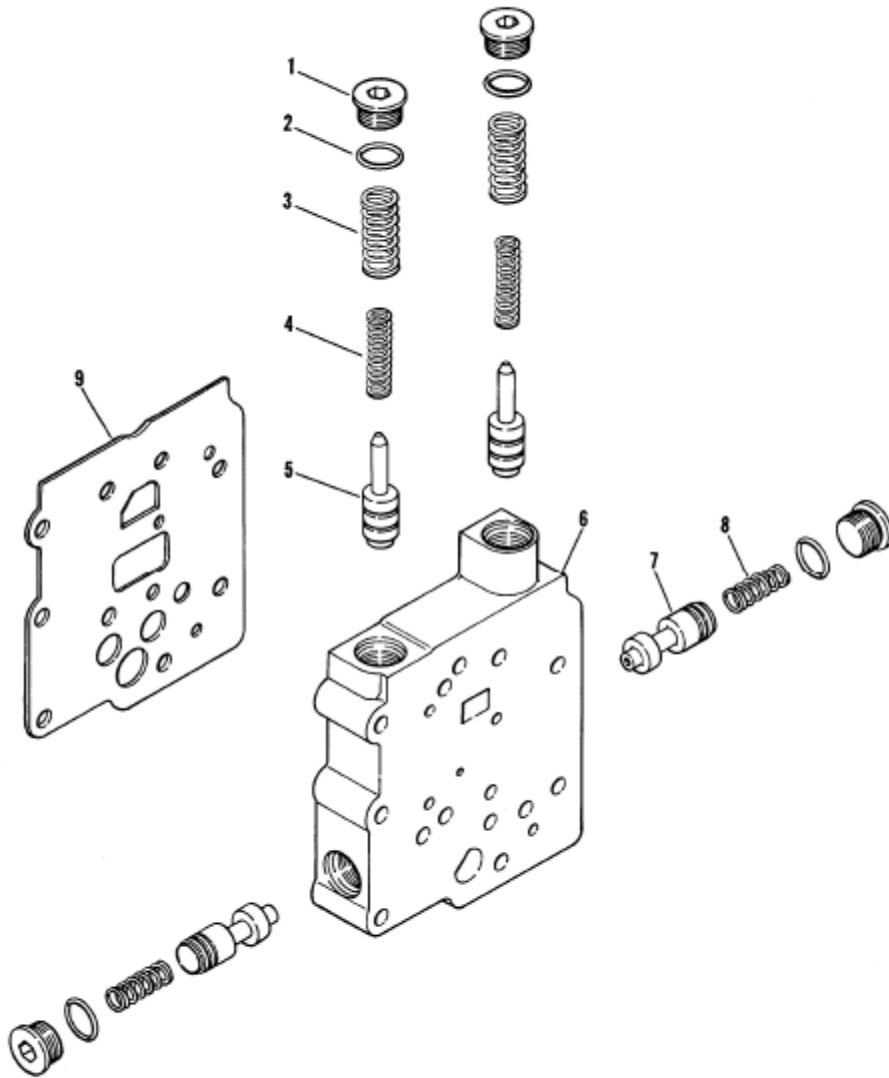


©Copyright Clark Equipment Company 1989  
Unpublished material - All rights reserved

GRP-244 5-89

**CLARK**

**CLARK**



©Copyright Clark Equipment Company 1990  
Unpublished material - All rights reserved

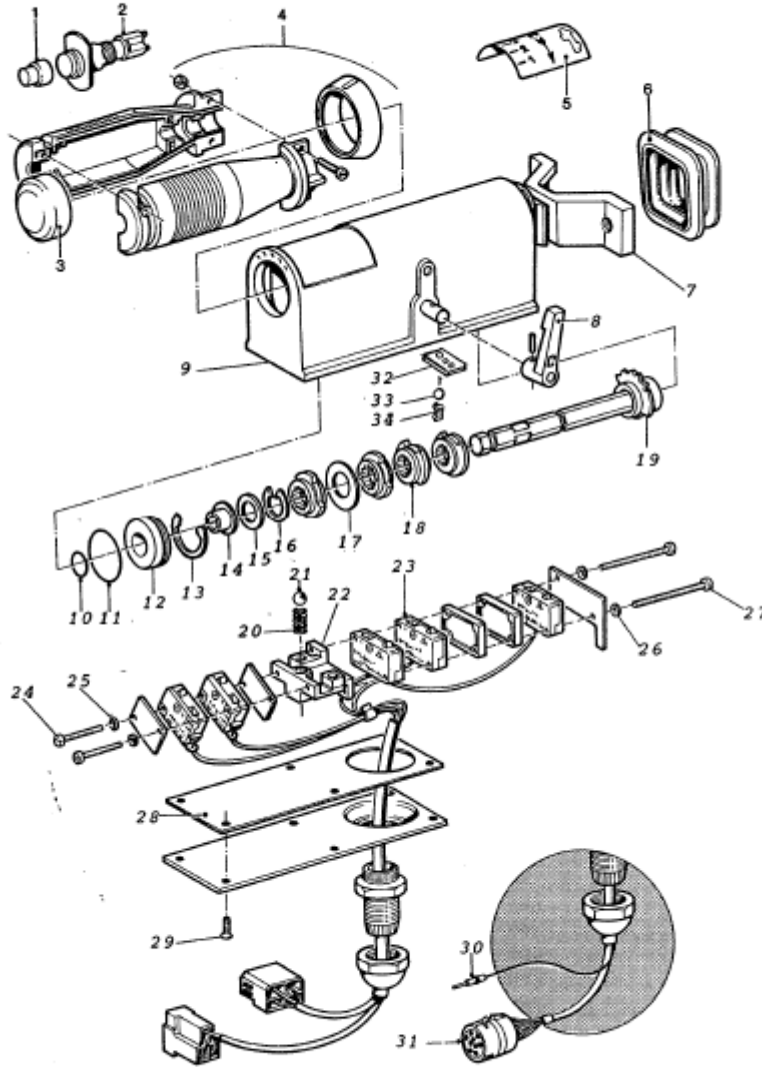
SEV-372 (REV. 4-90)



**CLARK**

**ELECTRIC CAB CONTROL  
GRIP TYPE**

**CLARK**



CCE 395

GRP 242 Rev 12-94