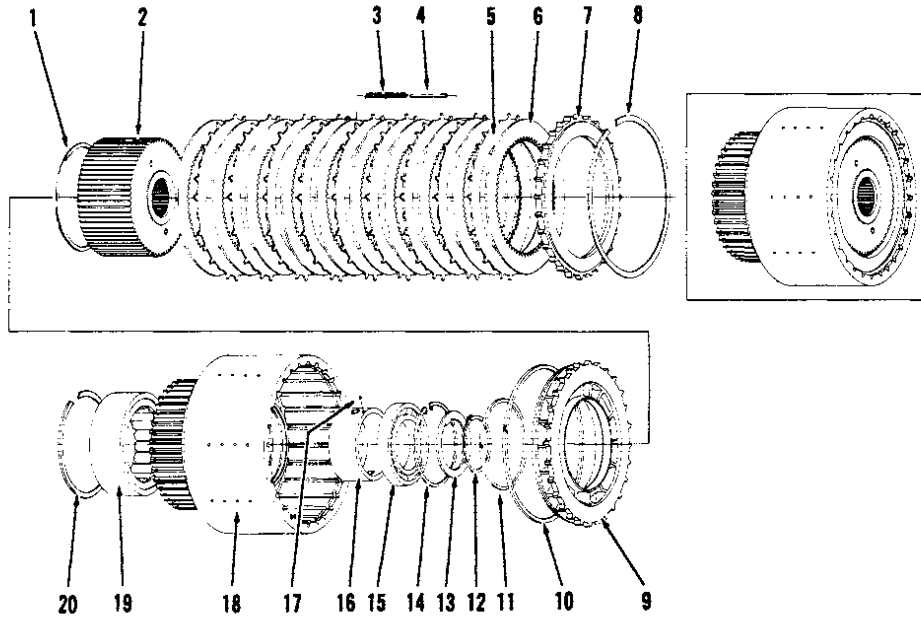
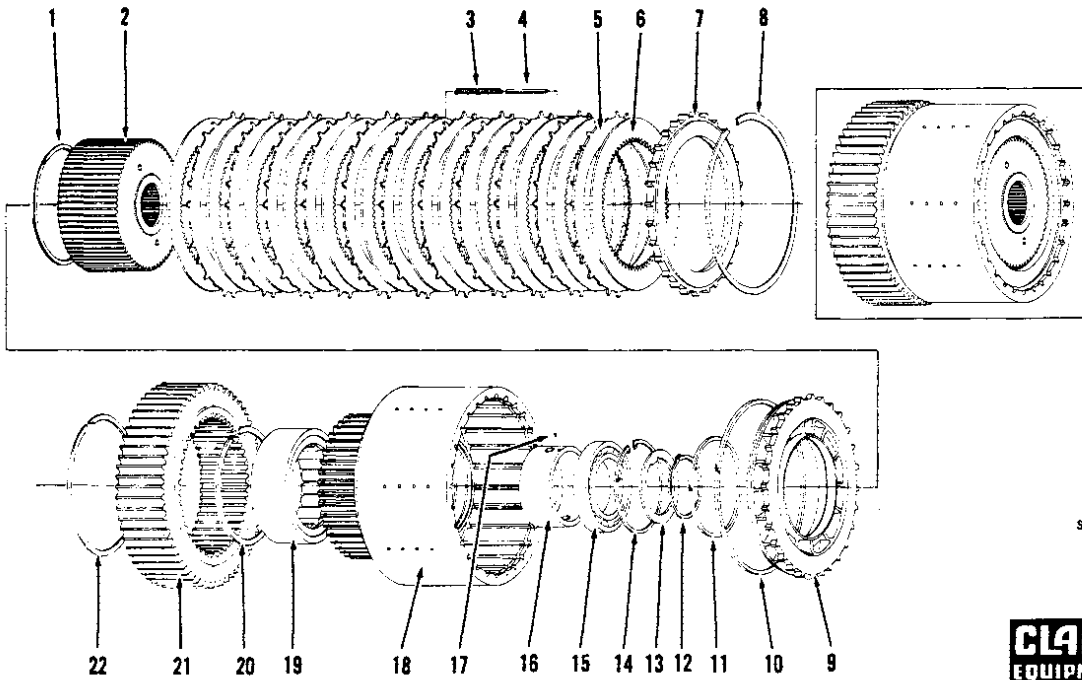


3000 SERIES - CASE ASSEMBLY

INPUT, REVERSE, 3rd & 4th CLUTCH GROUP



1st & 2nd CLUTCH GROUP



SEV 76

CLARK
EQUIPMENT

