



SPICER®

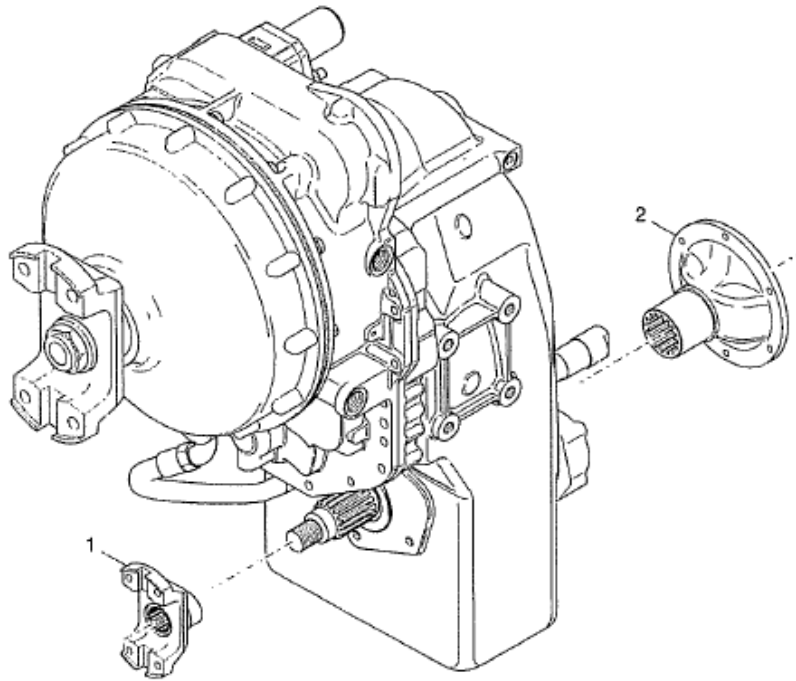
Off-Highway Products

Service Parts List

Transmission
1207FMT20317-100
4263451

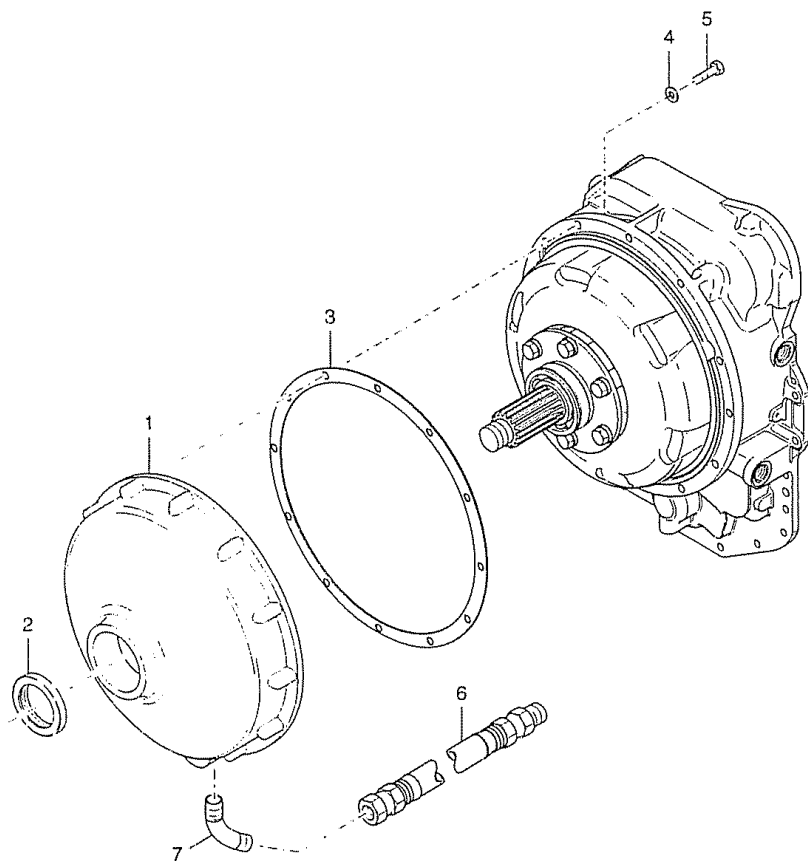
TPL-1114
November 2011

T20000 Series

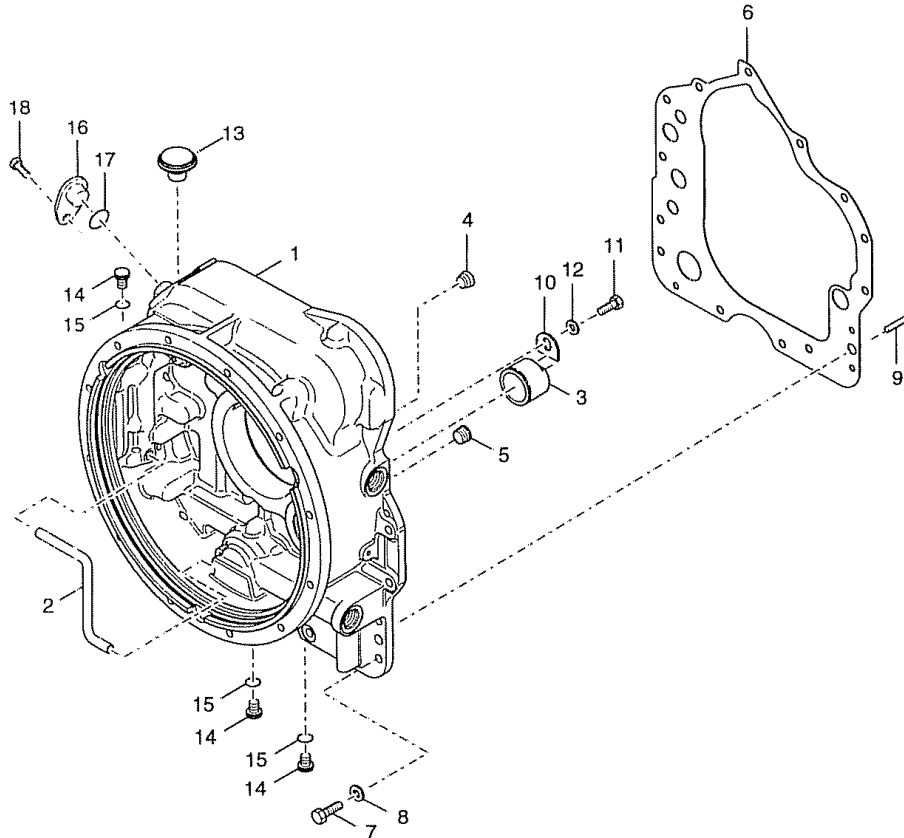


GRP-T20-05 rev. 140302

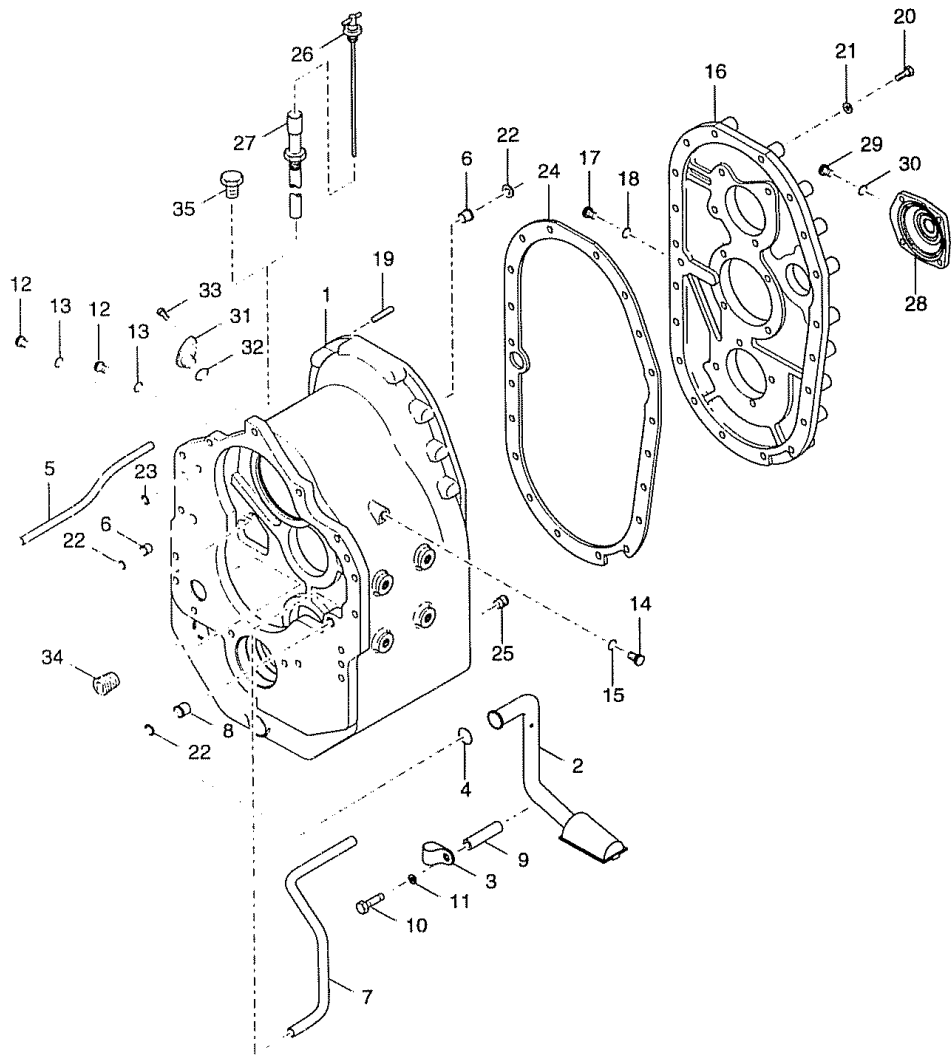
T20000
FRONT COVER GROUP



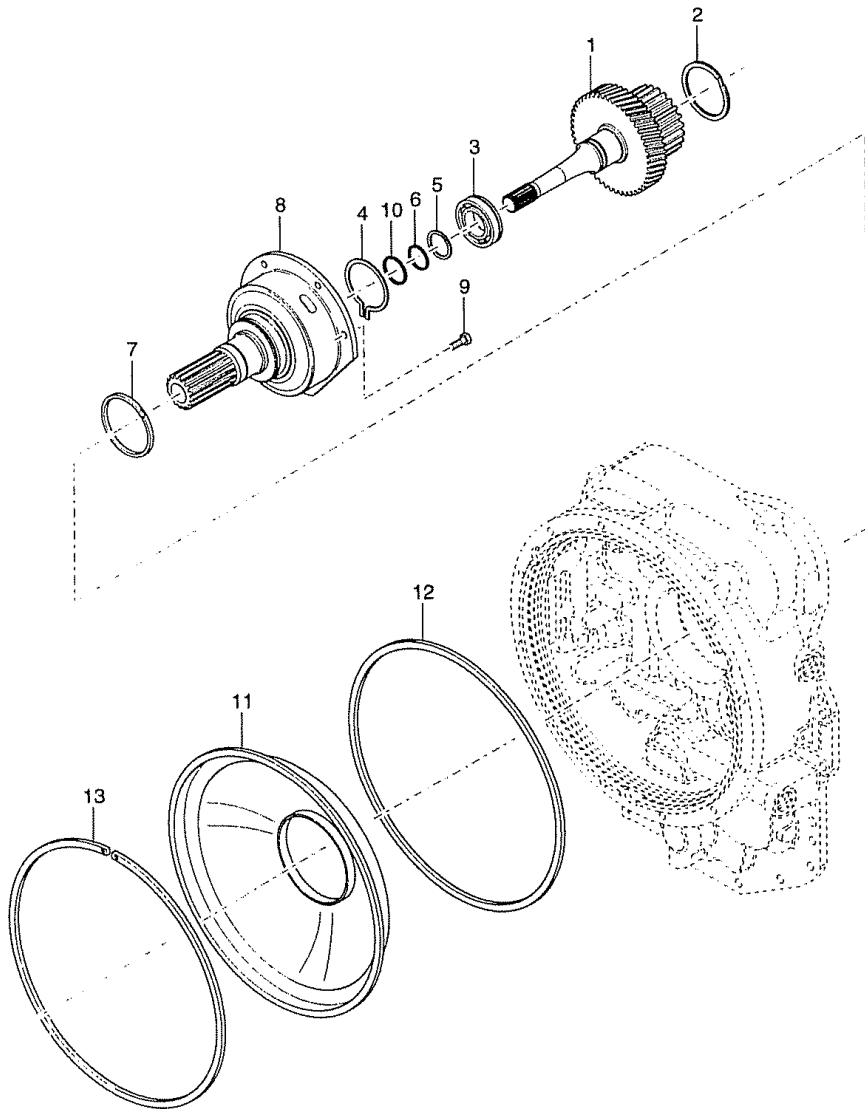
T20000
GROUP CONVERTER HOUSING



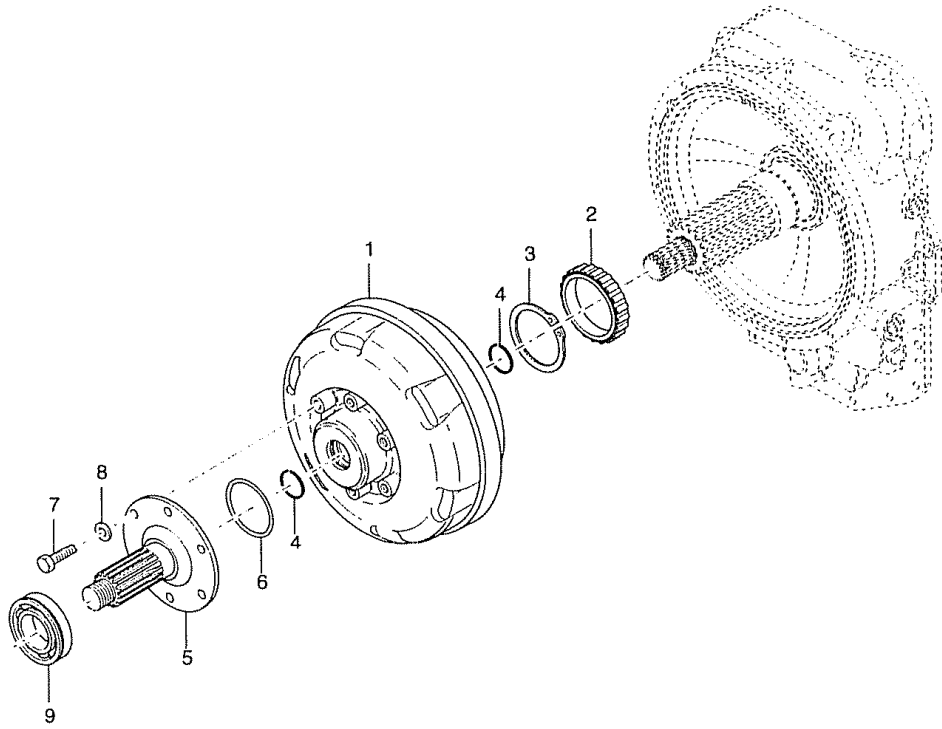
T20000
CASE & REAR COVER GROUP



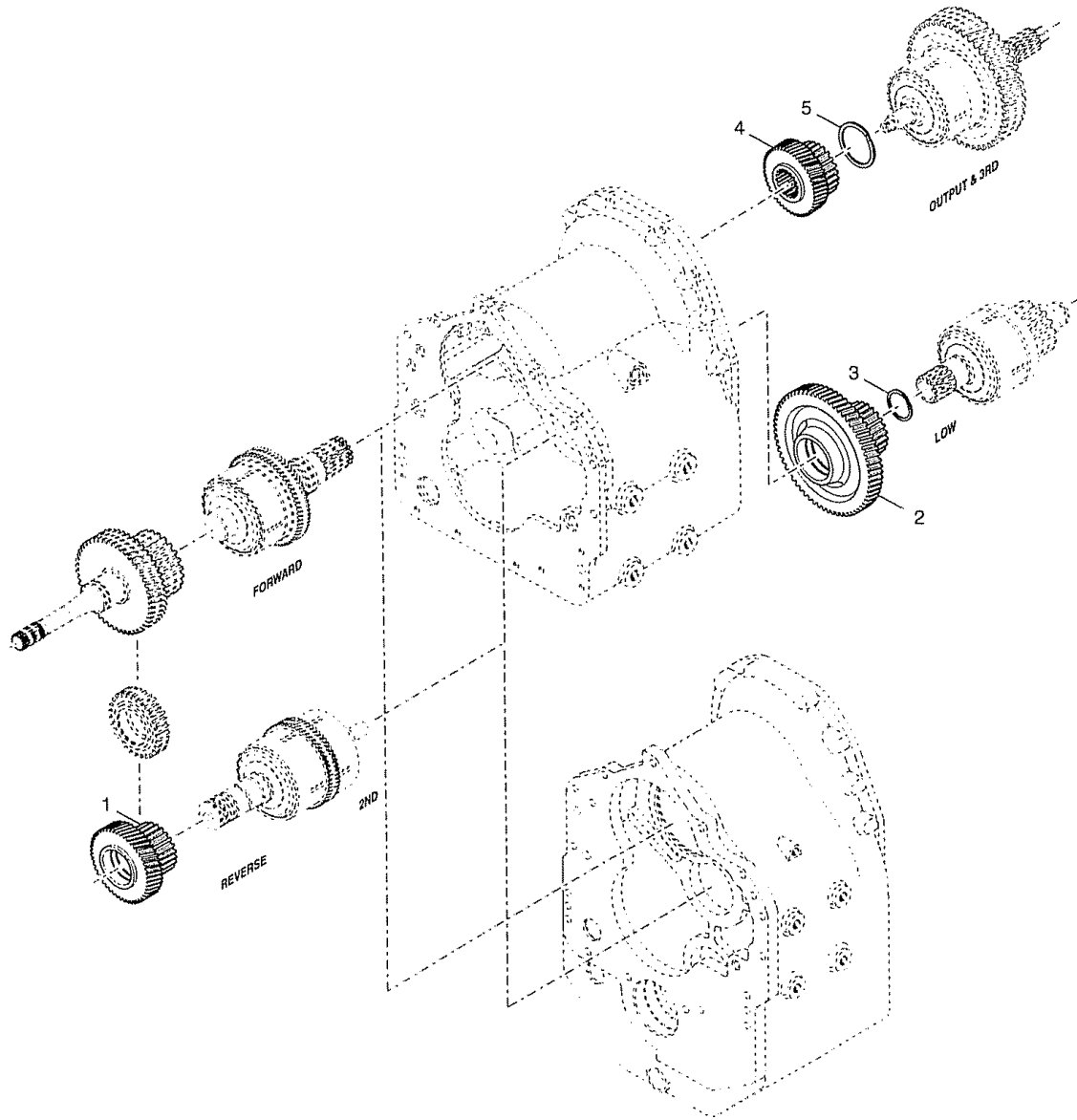
T20000
TURBINE SHAFT GROUP



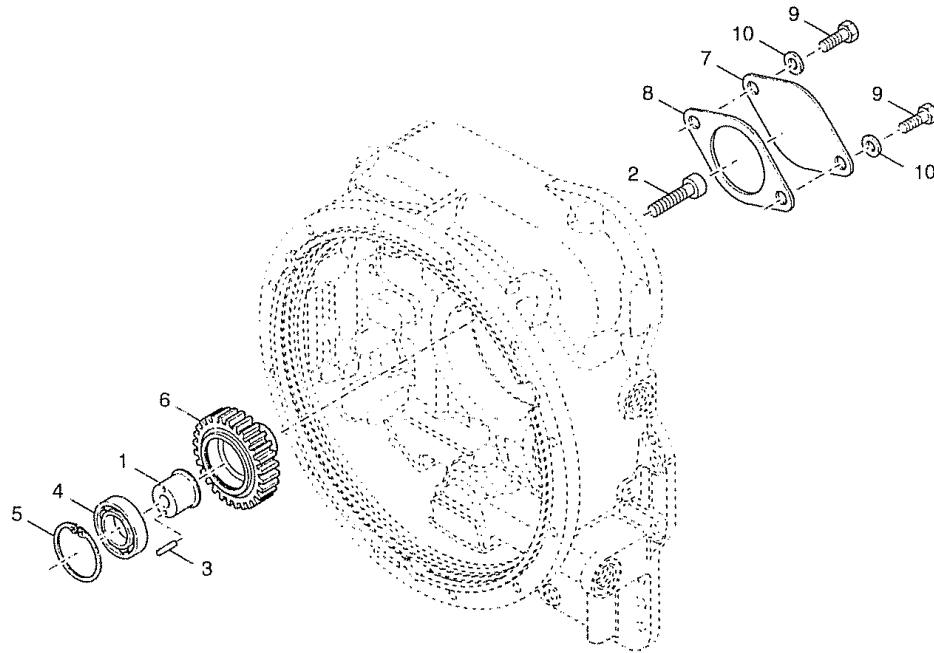
T20000
TORQUE CONVERTER GROUP



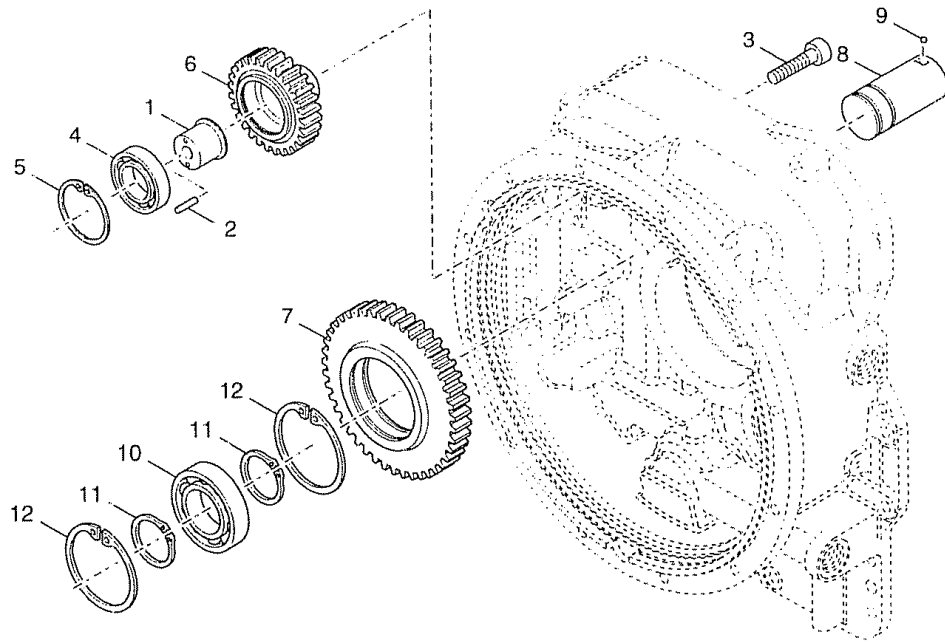
**T20000
GEAR GROUP**



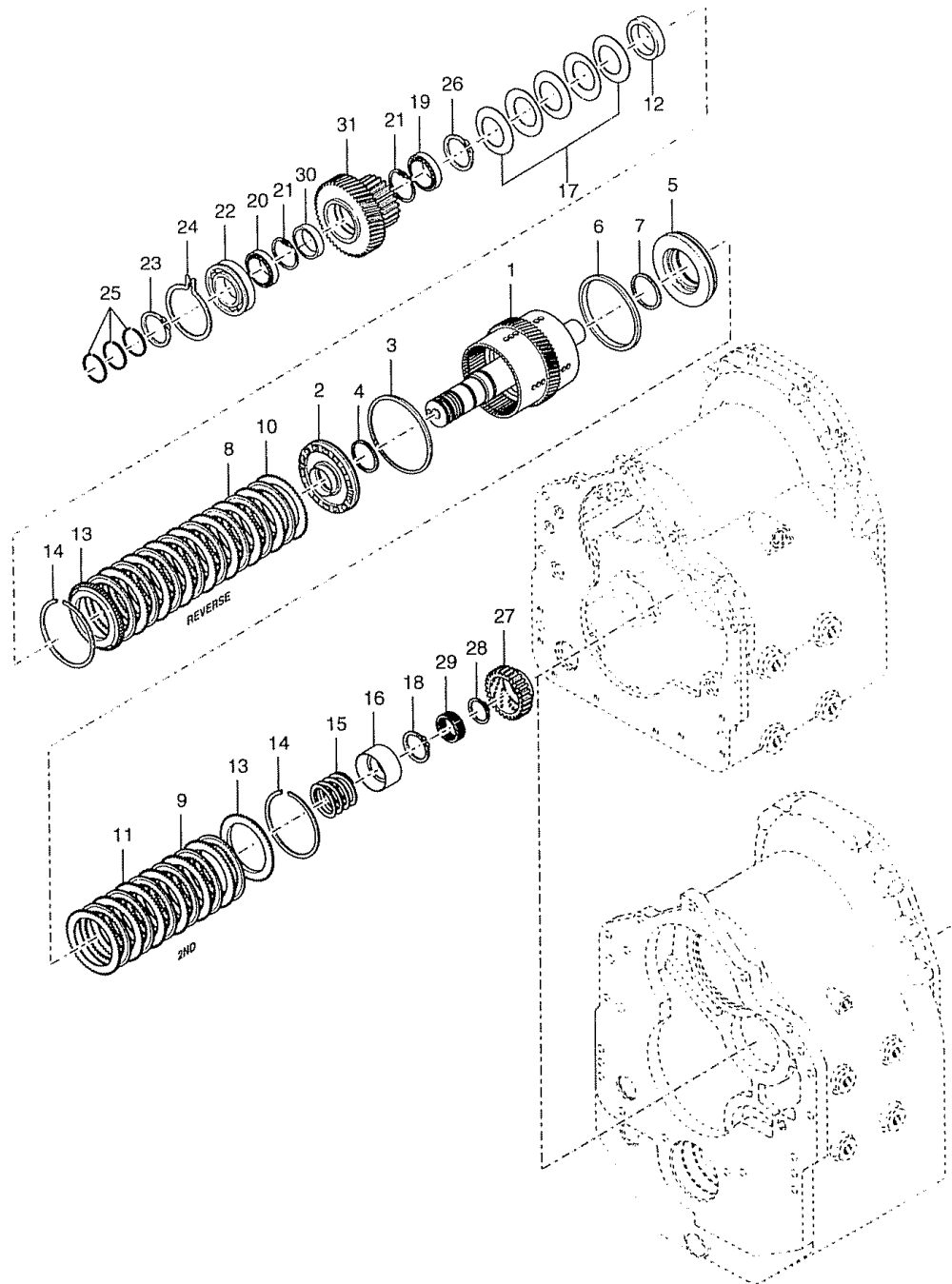
T20000
GROUP AUXILIARY PUMP DRIVE



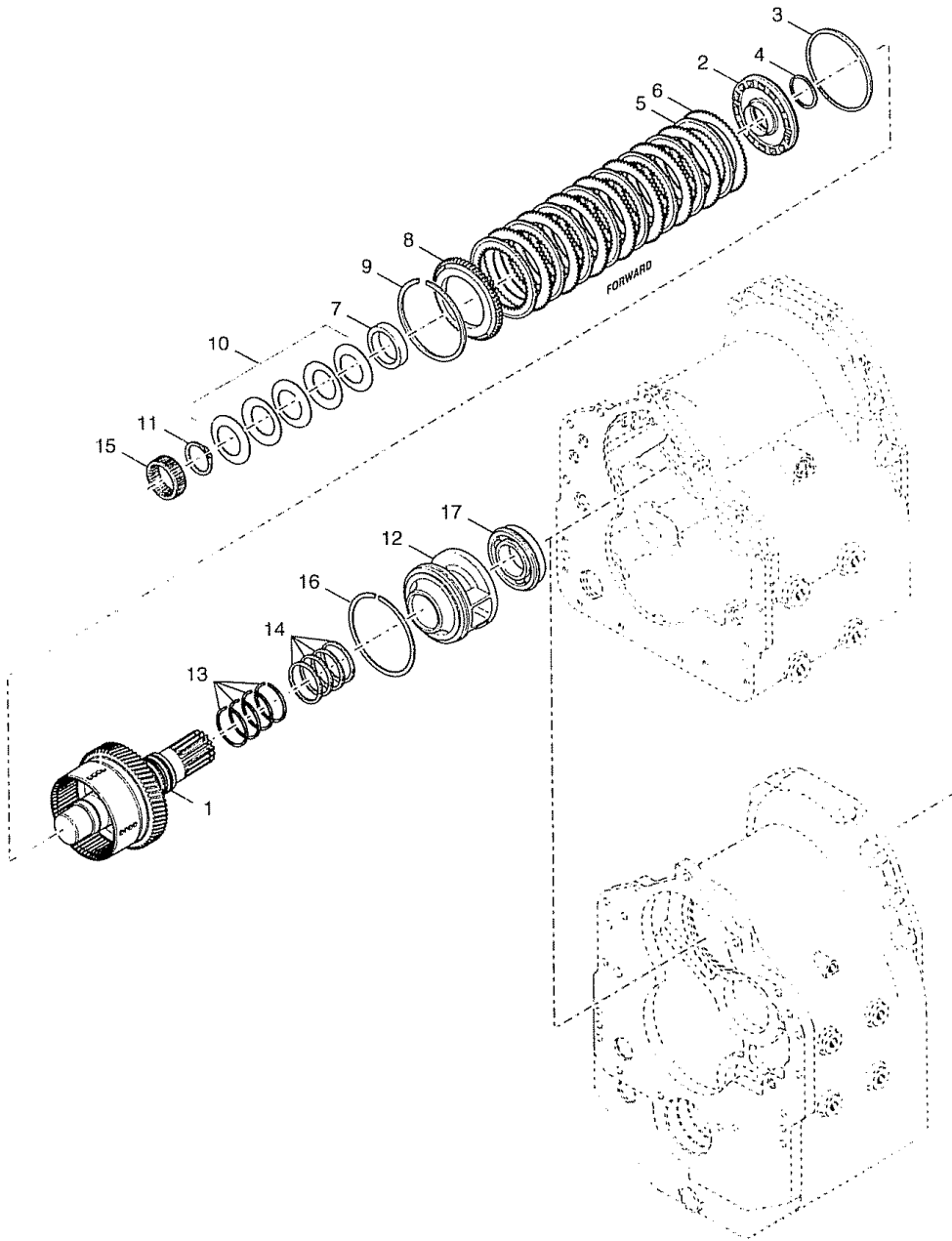
T20000
GROUP PUMP DRIVE



T20000
GROUP REVERSE AND 2ND SHAFT

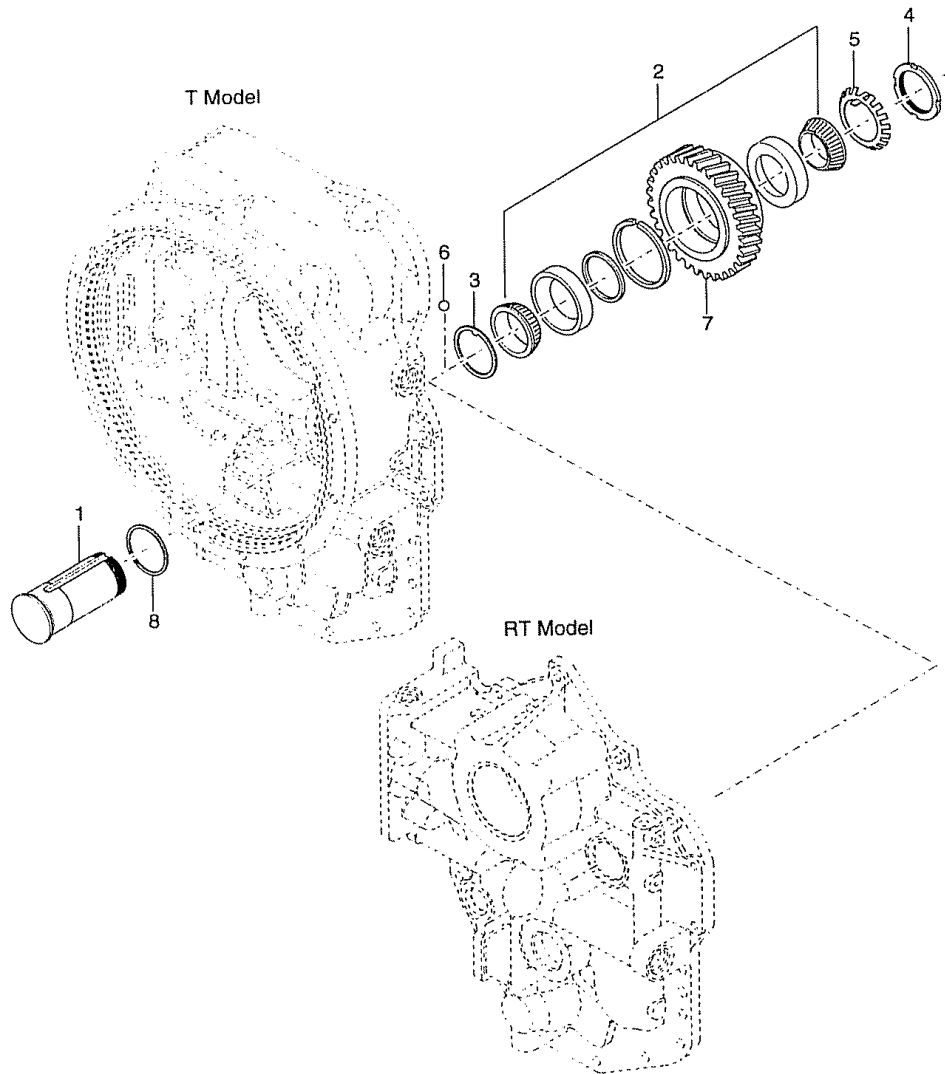


**T20000
GROUP FORWARD SHAFT**

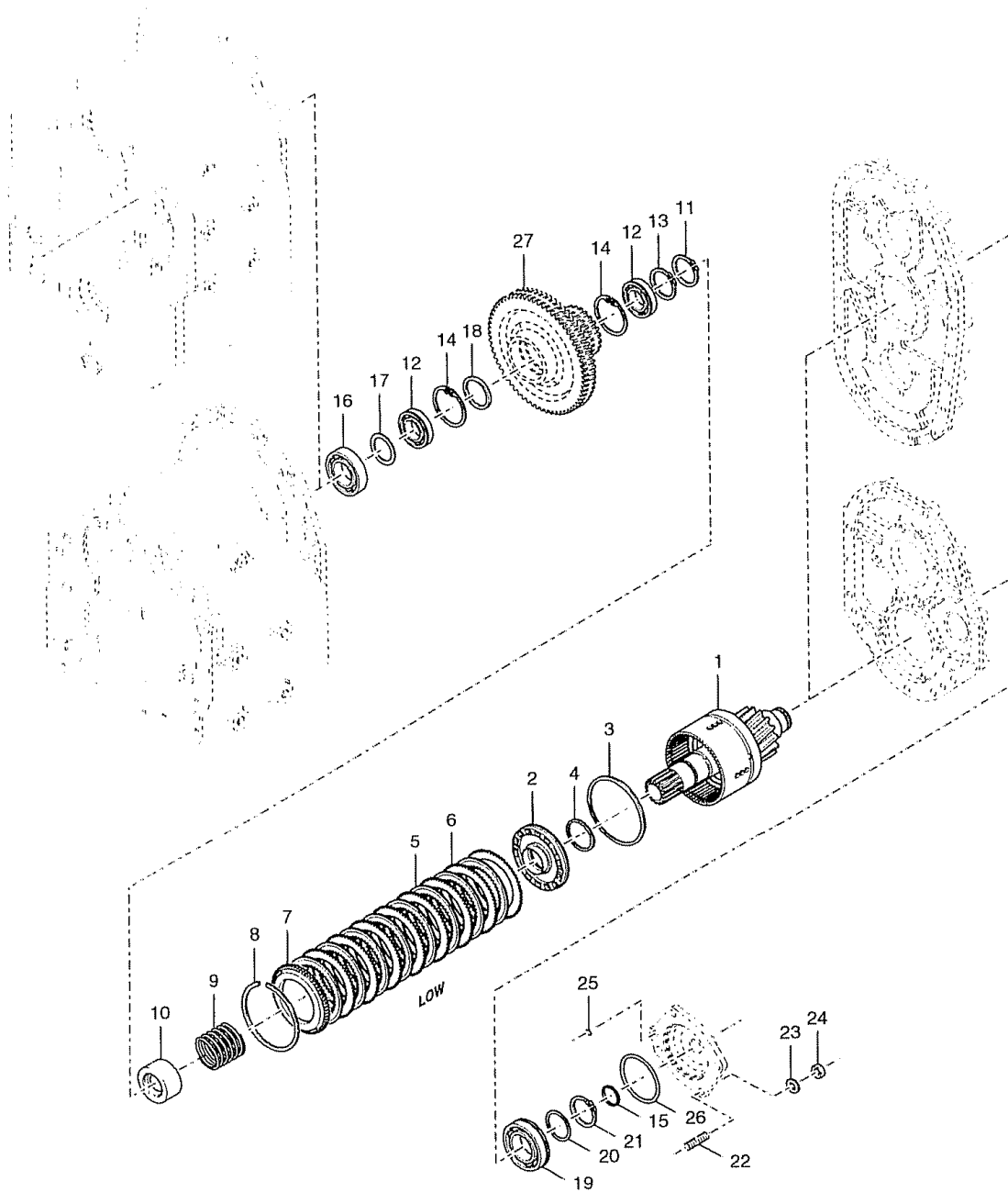


T20000

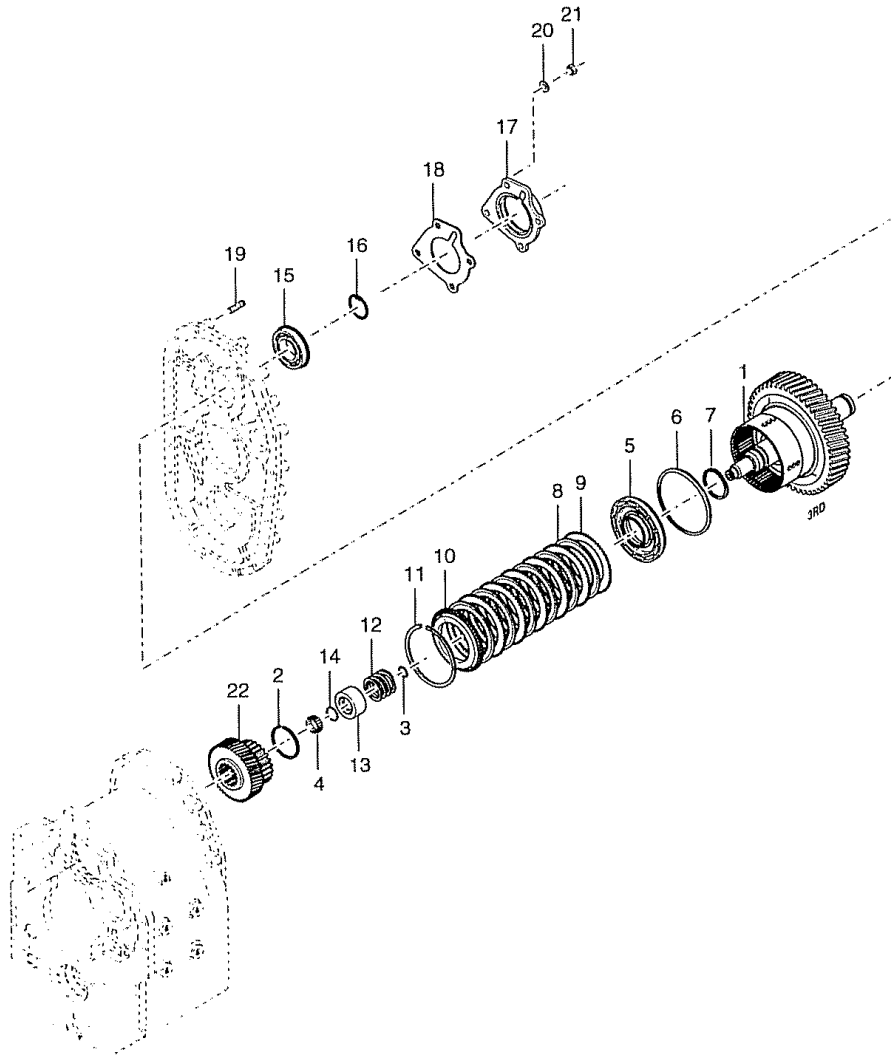
REVERSE IDLER GROUP



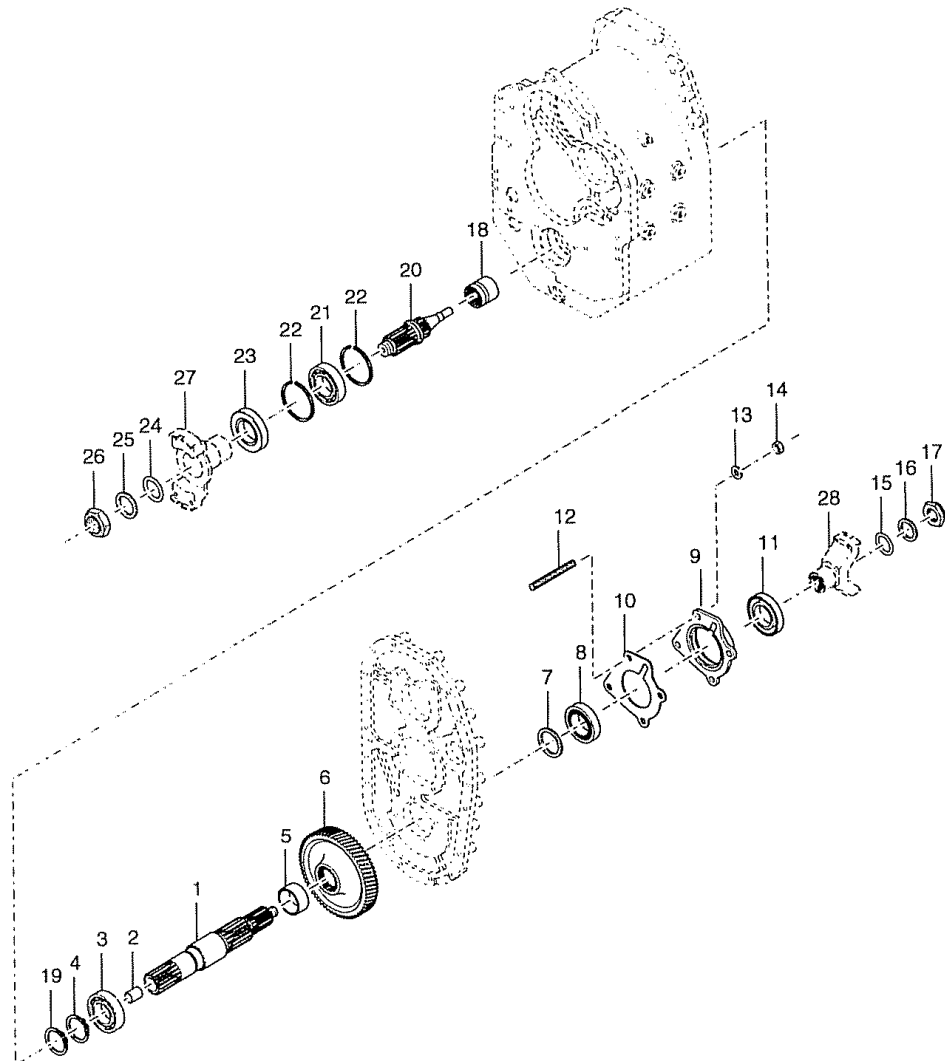
T20000
GROUP LOW SPEED SHAFT



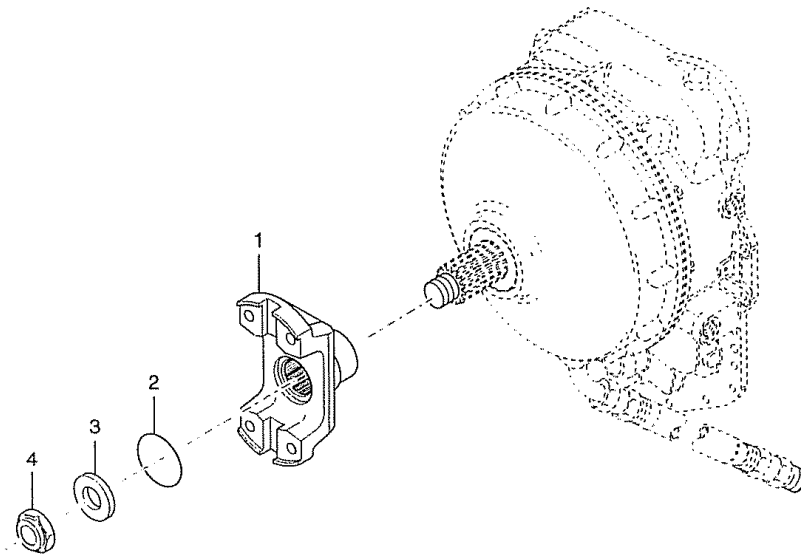
**T20000
GROUP 3RD SHAFT**



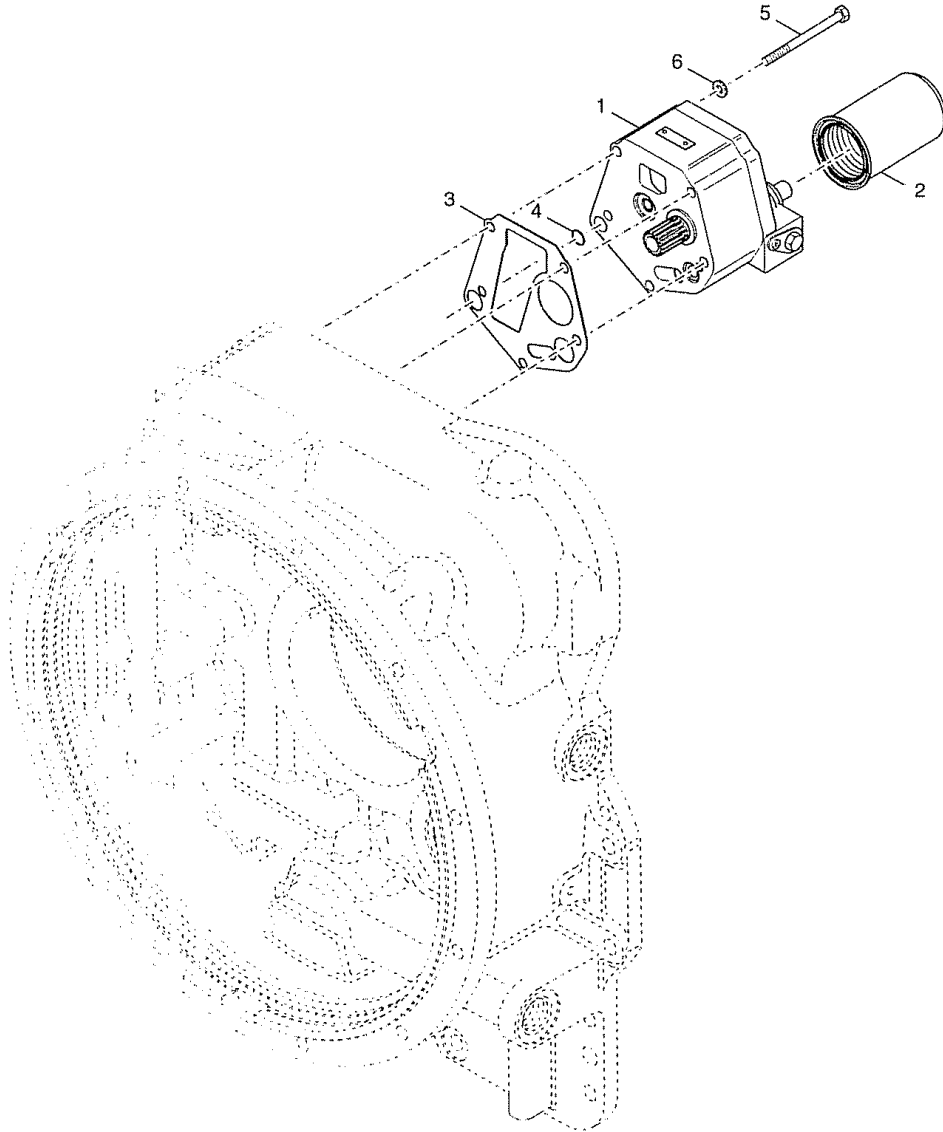
T20000 GROUP OUTPUT SHAFT



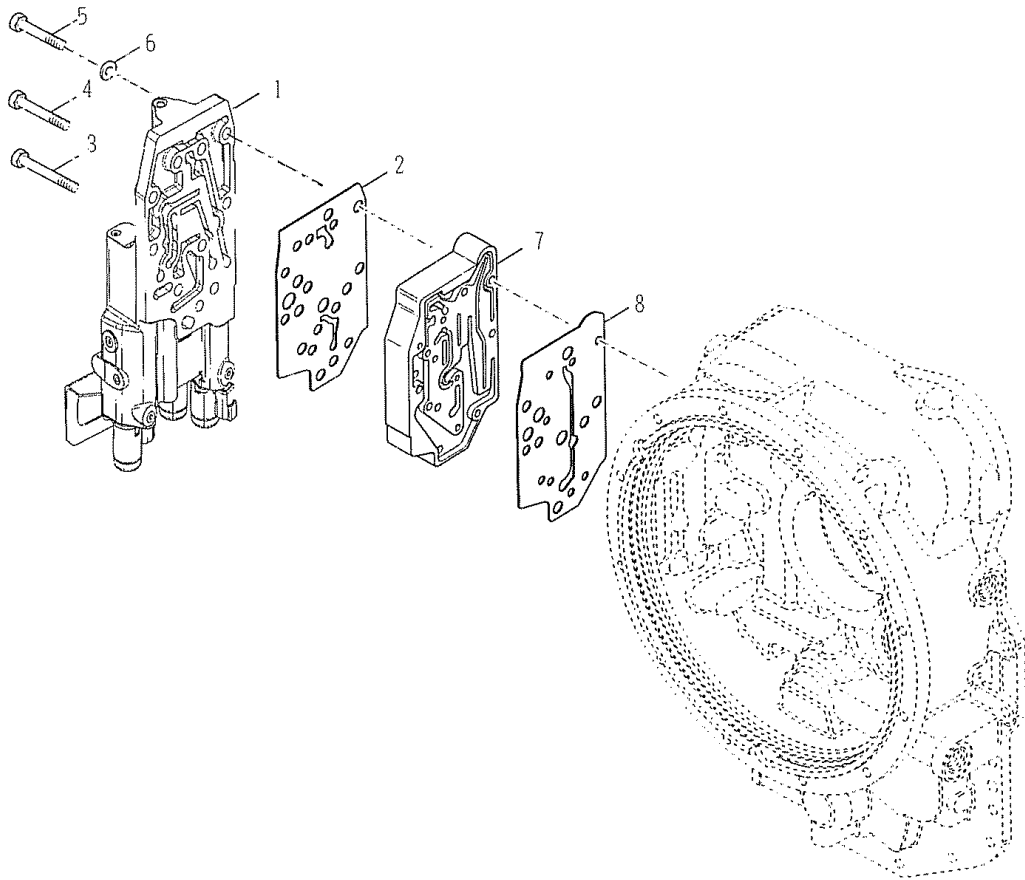
T20000
INPUT FLANGE GROUP



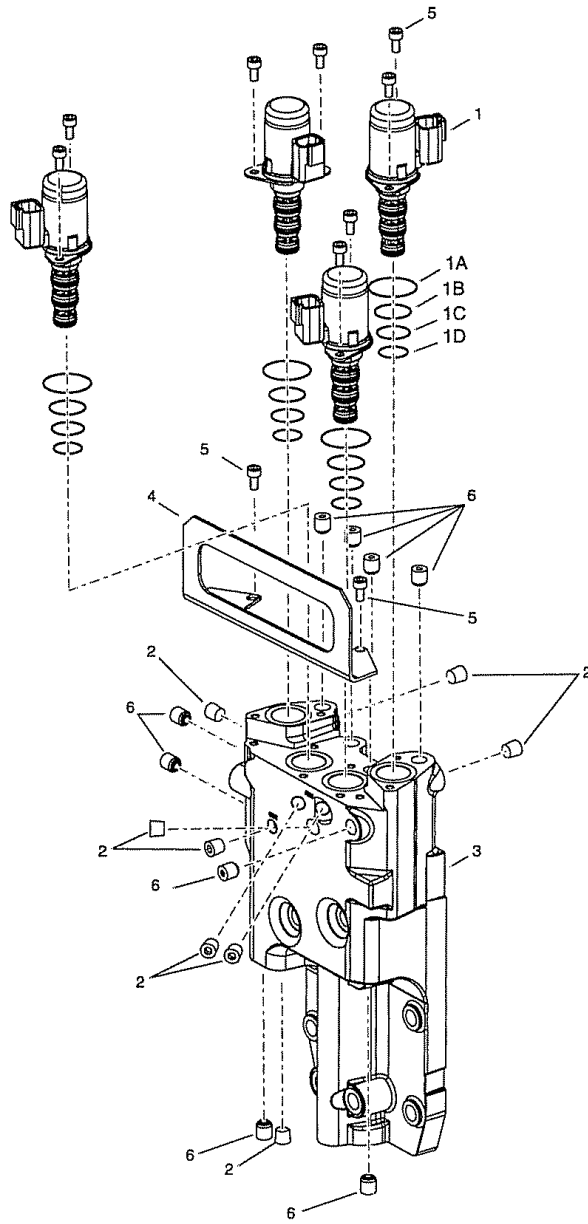
**T20000
GROUP CHARGING PUMP & FILTER**



T20000
GROUP-VALVE 3 SPD
W/O INCHING, W/O DECLUTCH AND W MODULATOR



T20000
ASSY-VALVE 3SP
W/O INCHING & W/O DECLUTCH



GRPT20365

T20000
MODULATOR VALVE ASSEMBLY

