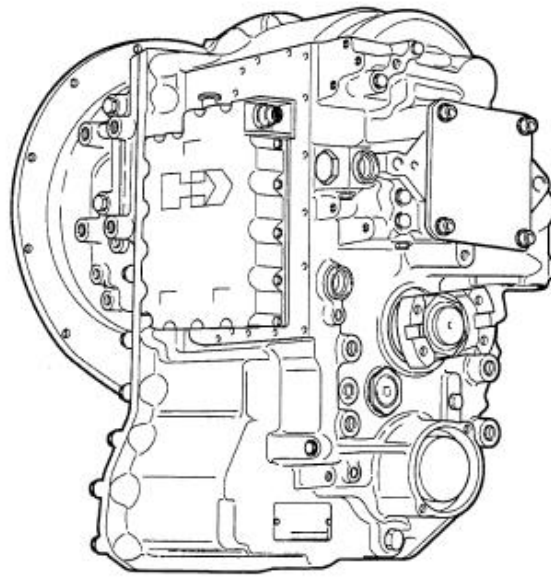


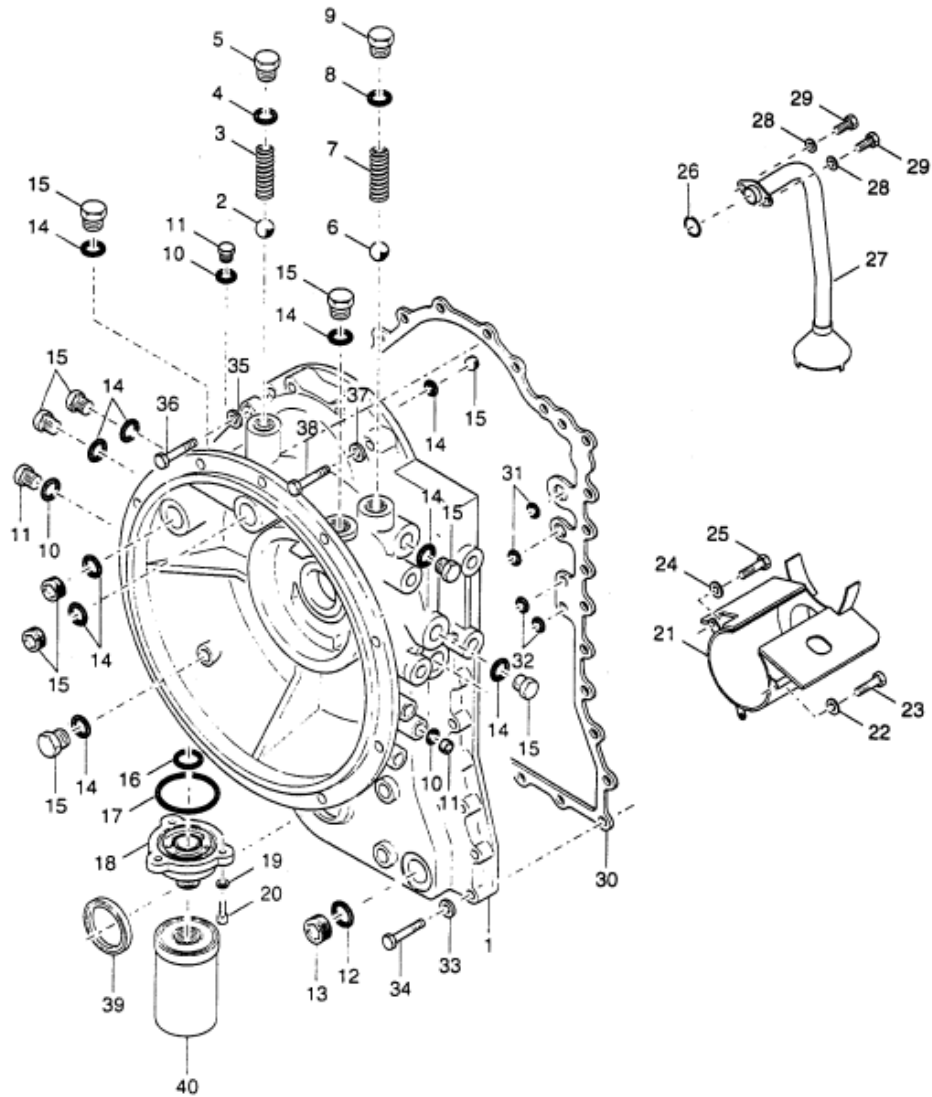
# T16000



GRPT16000

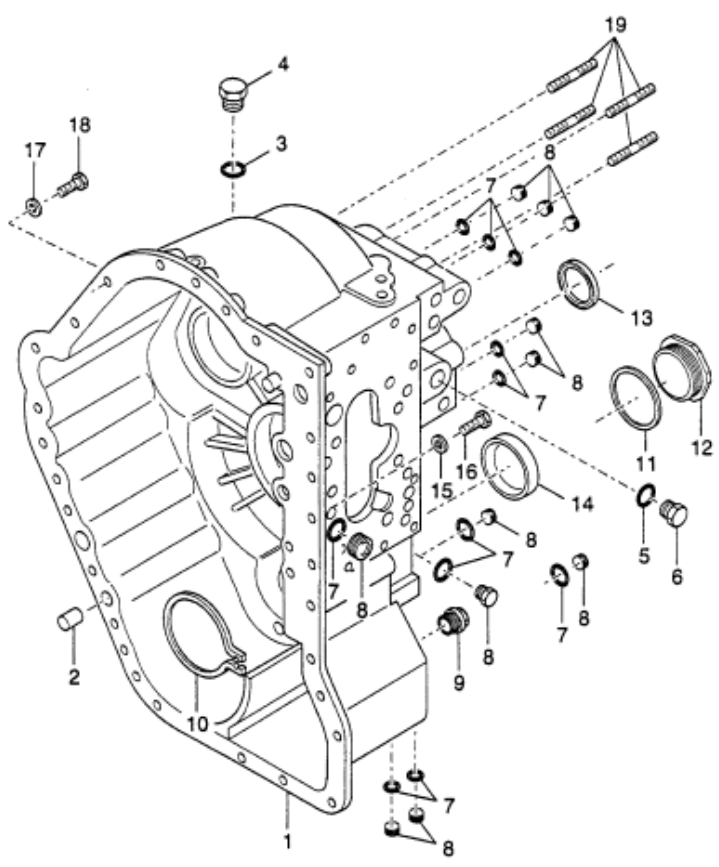
# T16000

## CONVERTER HOUSING GROUP



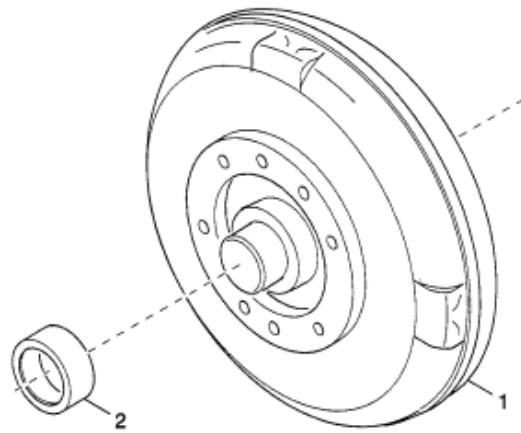
GRPT16003

**T16000**  
**TRANSMISSION CASE GROUP**



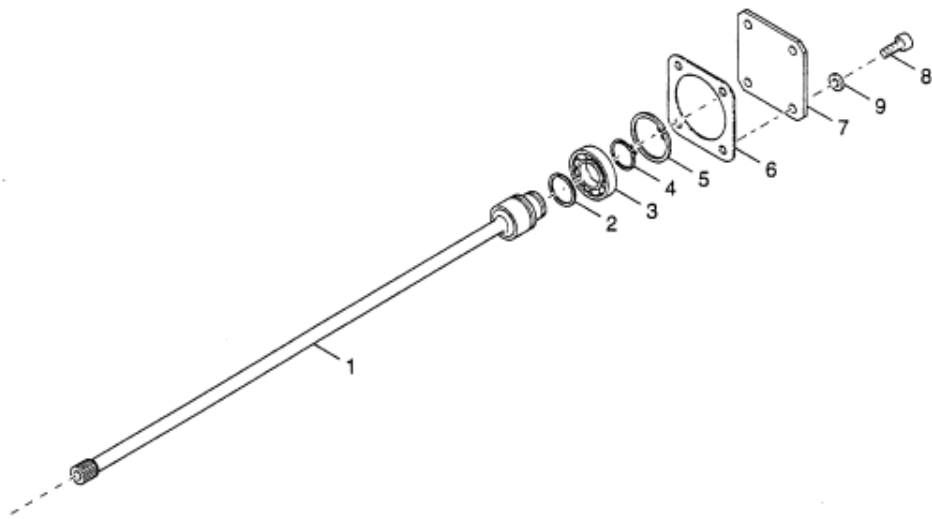
GRPT16012

**T16000**  
**TORQUE CONVERTER GROUP**



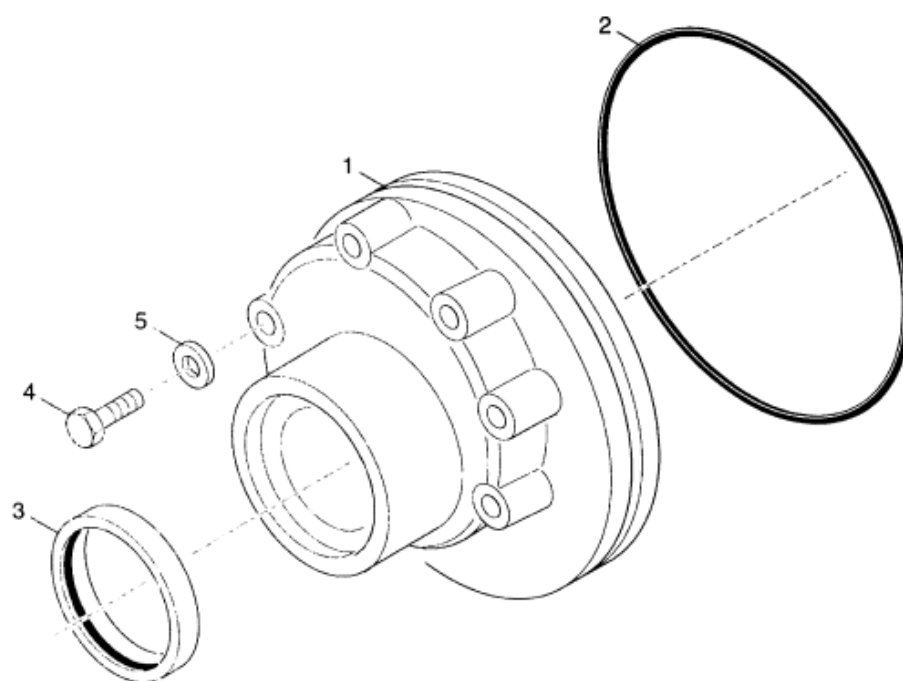
GRPT16021

**T16000**  
**PUMP DRIVE GROUP**



**GRPT16031**

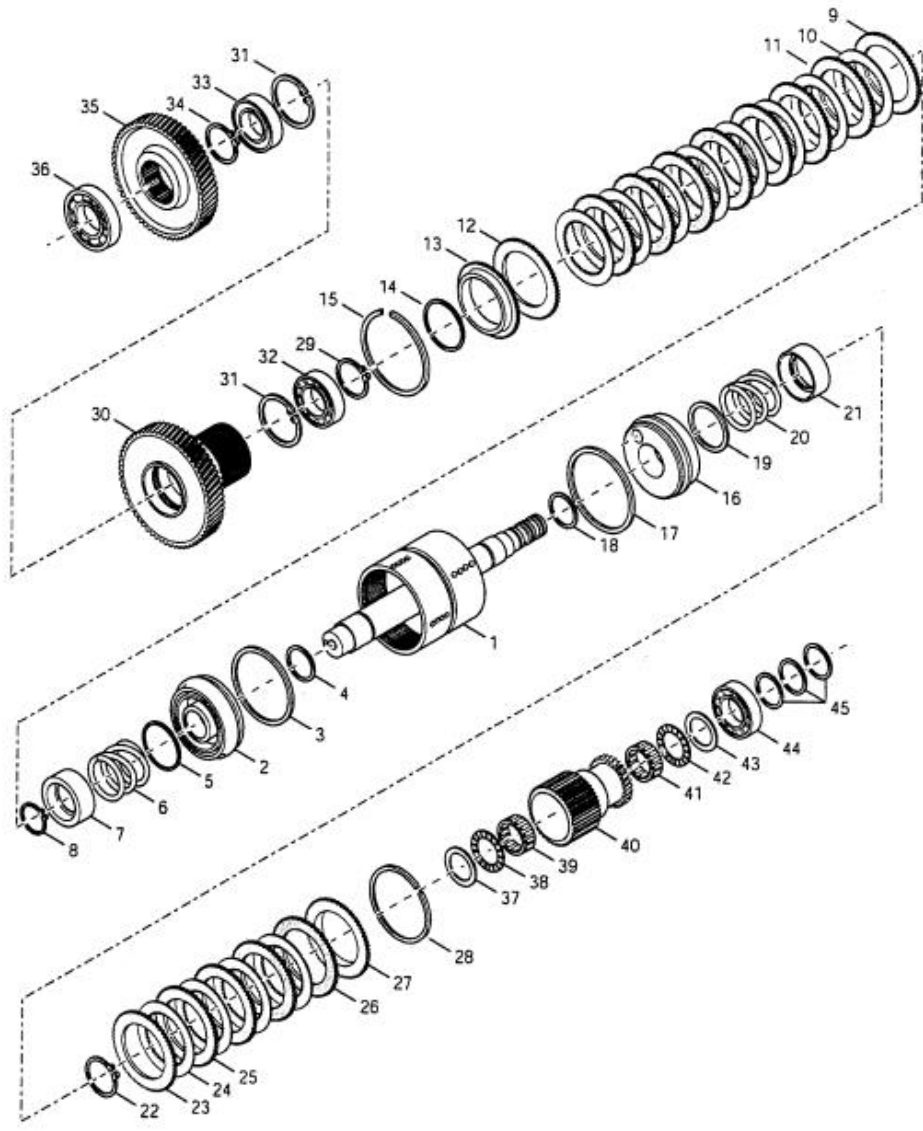
**T16000**  
**CHARGING PUMP GROUP**



GRPT16041

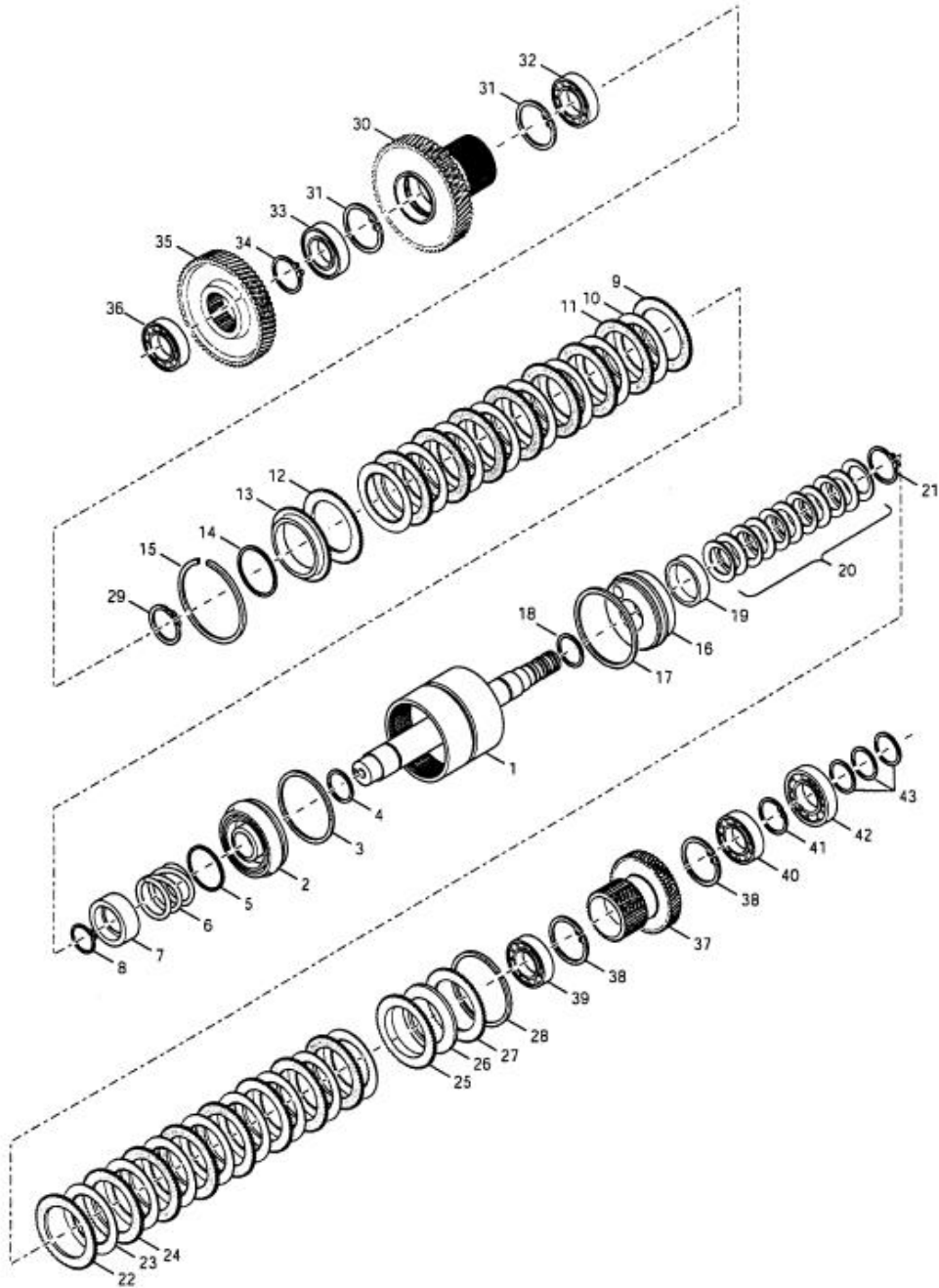
# T16000

## FWD LOW / FWD HIGH SHAFT AND GEARS GROUP



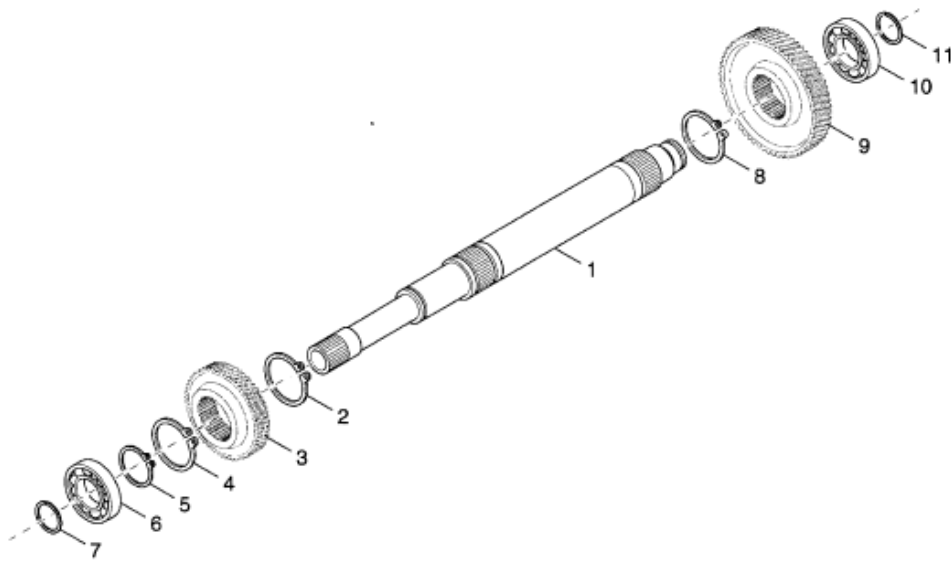
# T16000

## REVERSE / 1ST SHAFT AND GEARS GROUP



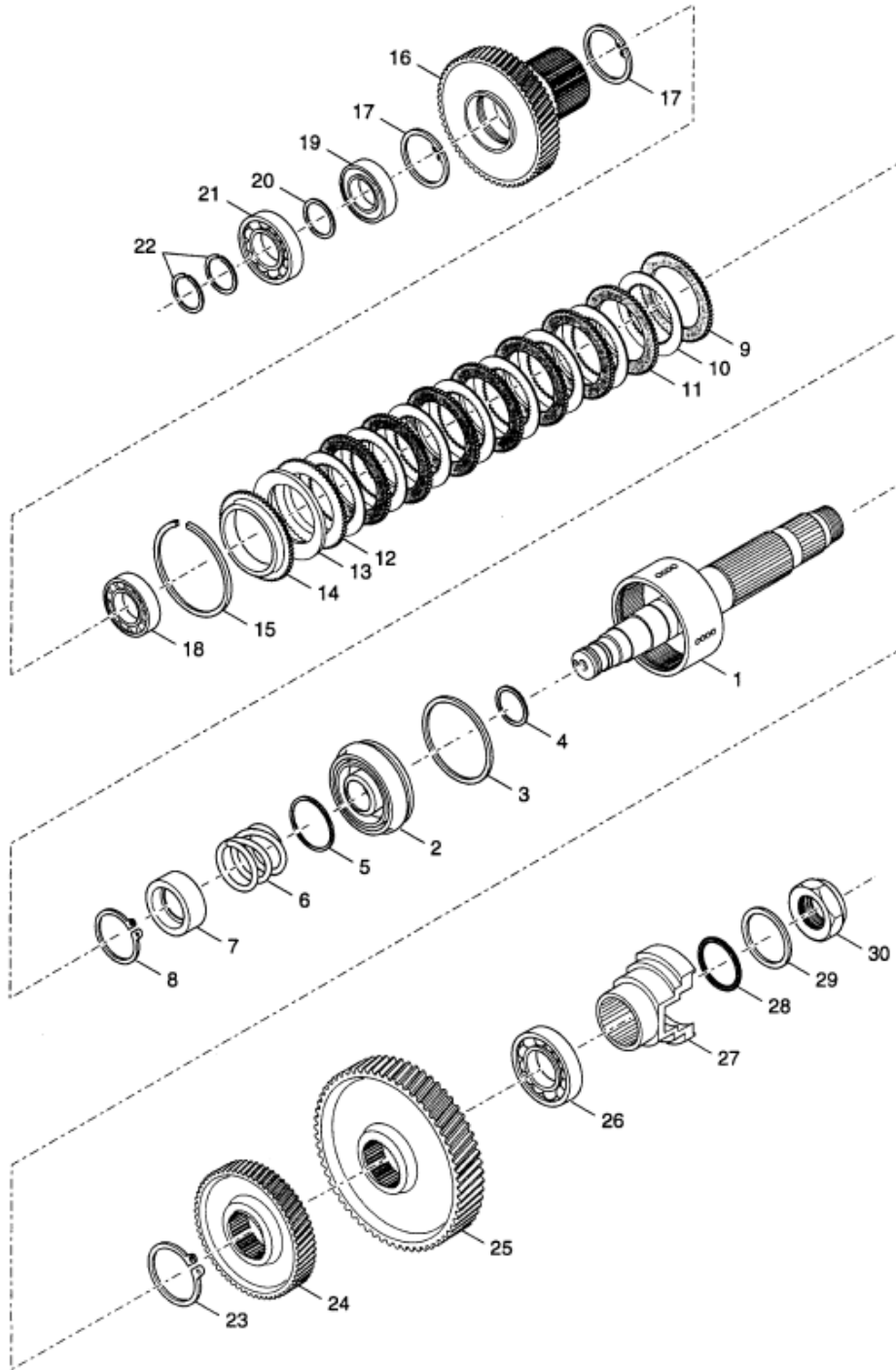


**T16000**  
**INPUT SHAFT GROUP**



# T16000

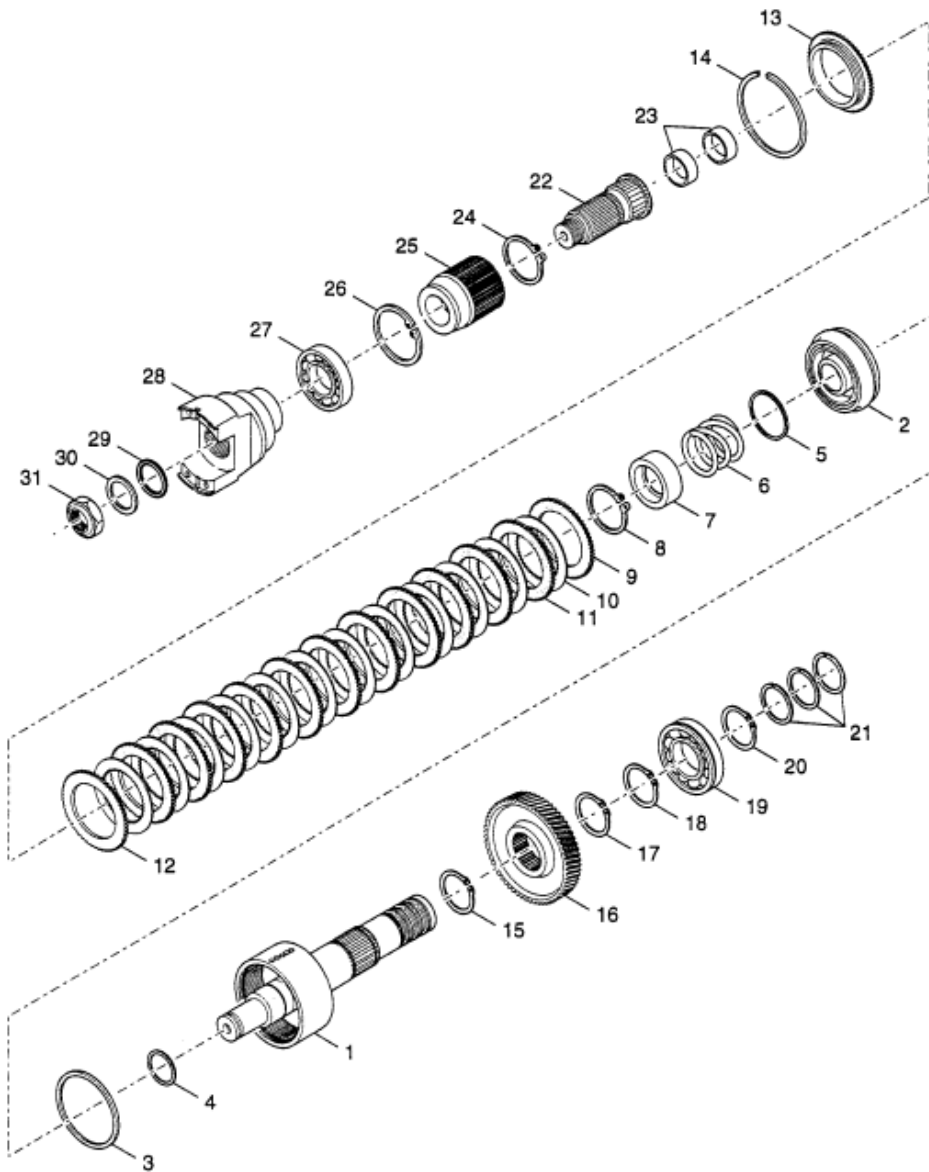
## 2ND SHAFT GROUP



GRPT16082

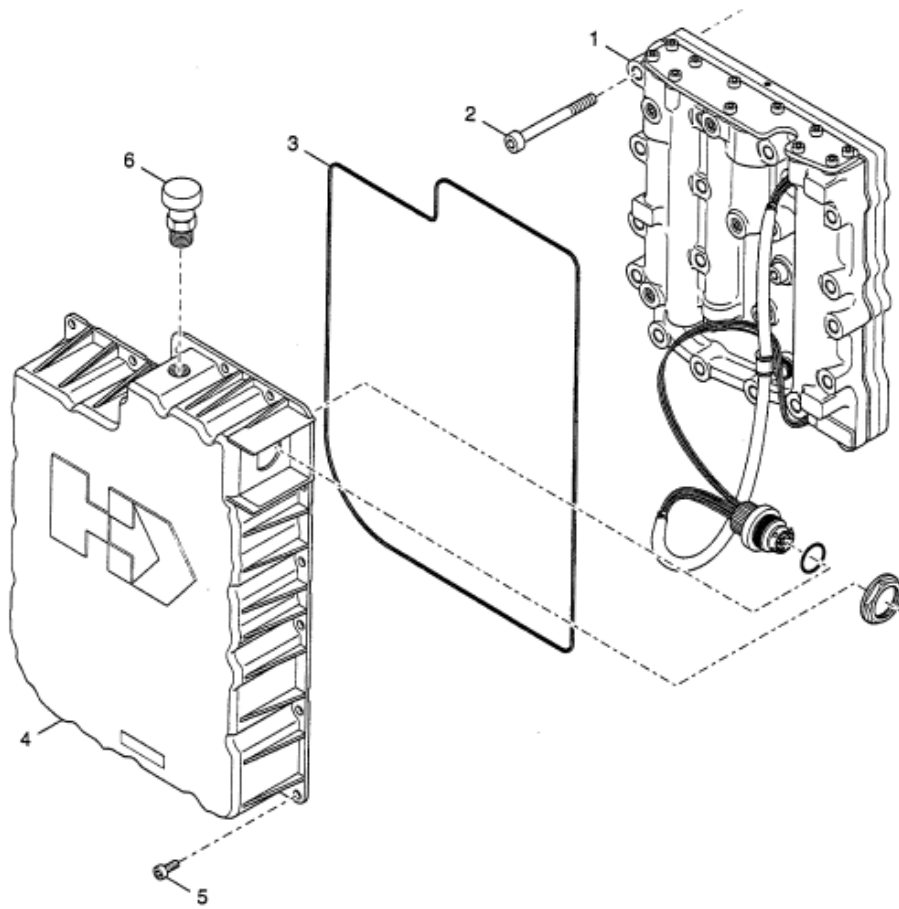
# T16000

## OUTPUT SHAFT WITH INTERNAL DISCONNECT GROUP



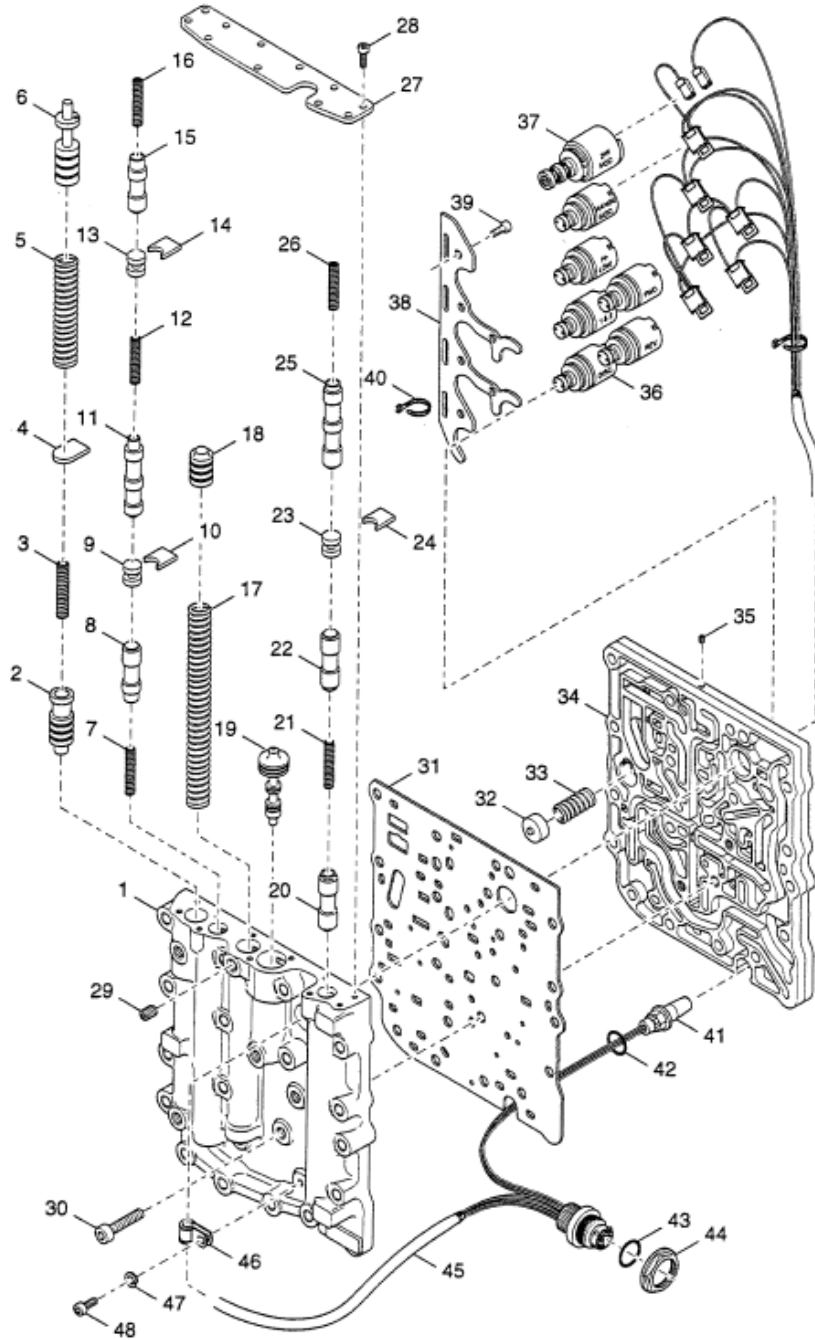
GRPT16092

**T16000**  
**CONTROL VALVE MOUNTING GROUP**

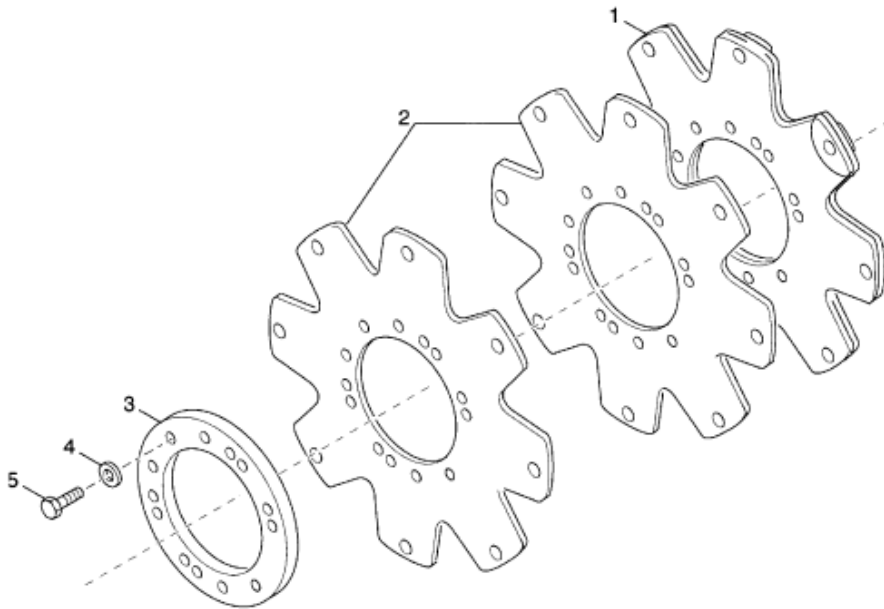


# T16000

## CONTROL VALVE ASSEMBLY



**T16000**  
**DRIVE PLATE GROUP**



GRPT16111

**T16000**  
**PARKING BRAKE GROUP**

